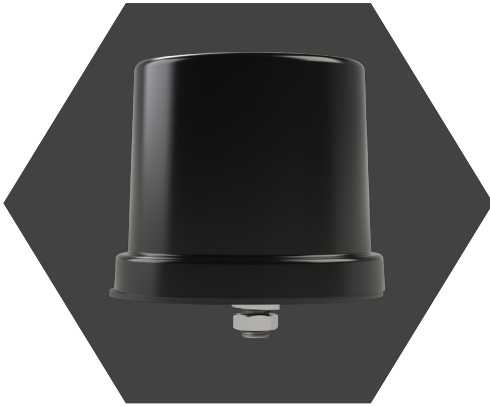




Ideal for

- External M2M
- IoT
- SCADA
- Industrial monitoring
- Oil and gas fields
- Self-service kiosks

Chihuahua STX PRO Series



- Up to 2 LTE
- SMALL FOOTPRINT
- IP67 RATED

Features

- COMPACT
- TAMPER RESISTANT
- HIGH EFFICIENCY
- HIGH PERFORMANCE



Product Description

The Chihuahua STX PRO Series antennas are perfect for external M2M, IoT applications, industrial monitoring, oil and natural gas fields, and self-service kiosks. Chihuahua antennas are IP67 rated.

The compact, tamper-resistant, rugged, external design makes the Chihuahua optimized for kiosk-style enclosures. The Chihuahua antennas are available with MIMO LTE.

Patent pending.



Frequency Ranges

LTE Frequency Range

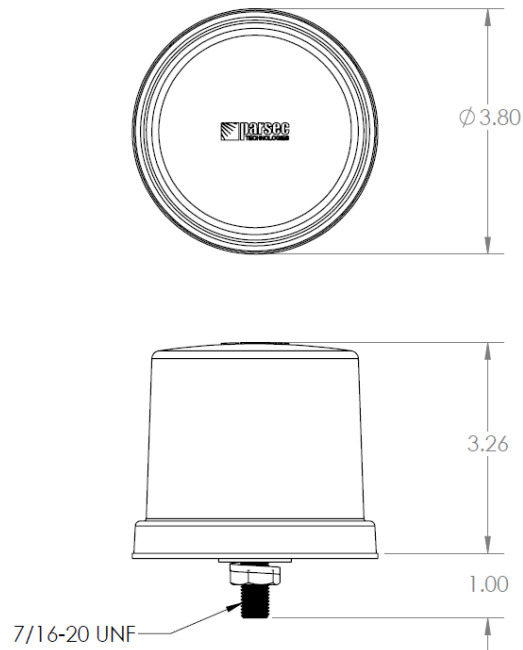
698 - 960 MHz

1710 - 2700 MHz

LTE Bands (US Carriers)

AT&T	2, 4, 5, 14, 17, 29, 30, 66
Verizon	2, 4, 5, 13, 66
T-Mobile	2, 4, 12, 66
Sprint	2, 25, 26, 41
Mechanical	
Dimensions	3.75 inch diameter x 3.26 inch height
Mounting Hole	Single 7/16 inch
RF Cable Length	Choice of 1, 2, or 6 foot cables
Environmental	
Operating Temperature	-40°C to 85°C
Ingress Protection	IP67 waterproof

Product Dimensions



Electrical Specifications

ID	Port	Parameters	Units	Typ.
Radiated Efficiency	LTE-1,2	698 – 960 MHz	%	70
	LTE-1,2	1710 – 2700 MHz		70
Peak Gain	LTE-1,2	698 – 960 MHz	dBi	3.7
	LTE-1,2	1710 – 2700 MHz		4.9
Return Loss (50 Ω)	LTE-1,2	698 – 960 MHz	dB	8
	LTE-1,2	1710 – 2700 MHz		8
Isolation	LTE-1 to 2	698 – 960 MHz	dB	8.5
	LTE-1 to 2	1710 – 2700 MHz		11
Polarization	LTE			Linear
Max Input Power	LTE		Watts	5
RF Connector	LTE			SMA(M)
RF Cable Type	LTE			LSR200

Notes:

1. Electrical specifications based on antenna with a 5 in. x 8 in. external ground plane.
2. Isolation does not include cable loss.

Ordering

Chihuahua antennas come in 1' or 6' cable options and black or white.

Configurations	Part Number	Description
2:1	PRO2STX2L01B	2 LTE, 1' cable, black
	PRO2STX2L01W	2 LTE, 1' cable, white
	PRO2STX2L06B	2 LTE, 6' cable, black
	PRO2STX2L06W	2 LTE, 6 cable, white
3:1	PRO3STX2LG01B	2 LTE, GPS, 1' cable, black
	PRO3STX2LG01W	2 LTE, GPS, 1' cable, white
	PRO3STX2LG06B	2 LTE, GPS, 6' cable, black
	PRO3STX2LG06W	2 LTE, GPS, 6 cable, white

Notes:

N type connector is recommended for outdoor usage due to it being waterproof. N type is also best used for cable runs longer than 25ft due to it being a stronger connection.

SMA connectors have a max torque of 3-5 inch lbs.

Part Number Key

Part number example for a 2:1 Chihuahua STX antenna, black:
PRO2STX2L01B

Description	Abbreviation	Part Number
All PRO Series	PRO	PRO
Number of antennas in housing/configuration	2:1	PRO2
Antenna abbreviation for Chihuahua X	STX	PRO2STX
Number of LTE Elements	# L	PRO2STX2L
Cable length measured in feet: 01 = 1', 06 = 6'	01 or 06	PRO2STX2L01
Radome Color - B for Black, W for White	B or W	PRO2STX2L01B
If SMA connector, simply leave blank		PRO2STX2L01B



Parsec Technologies
972-804-4600
support@parsec-t.com