

# CHIHUAHUA

## Installation Instructions



The Chihuahua PRO Series antennas are perfect for IoT applications, including industrial monitoring, oil and natural gas pipelines, kiosks, ATMs, etc. The Chihuahua Series antennas are compact, external, IP67 rated, rugged antennas that are available in multiple configurations, including MIMO LTE, up to 3 Wi-Fi, and GPS.

### REQUIRED TOOLS

**7/16 Wrench**

**Drill - 0.5"**

**Phillips Screwdriver**

**Crimp Tool**

### INCLUDED ACCESSORIES

#### **Cables**

- (PC200L15FSM) LMR200 SMA(F) - SMA (M) 15ft

- (PC200L01SM) LMR 200 SMA(M) - SMA (M), 1ft

**Pole Mount Bracket (PTA0149)**

**Surge Arrester**

### Selecting the Mounting Location

Select a mounting location where there is no obstructions within a radius of 24in. and is easily accessible. The pole has to be between 1 - 2.25 inches.

# Mounting the Pole Mount Bracket on the Pole

## Step 1.

Choose a pole with a diameter between 1 - 2.24 inches and cut it to the required length. Mount the pole vertically and confirm it with a level. Make sure the pole is firm before mounting the antenna. (Figure 1)

## Step 2.

Mount the pole mount bracket on the mast and position the bracket so at least 1 inch of the mast extends above the top saddle clamp. (Figure 2)

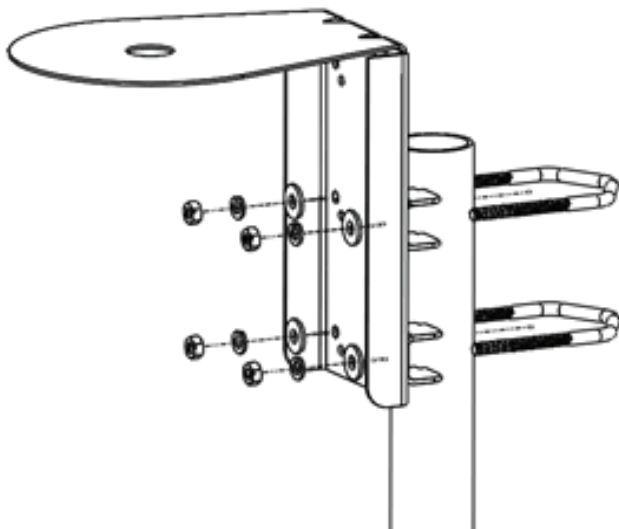


FIGURE 1

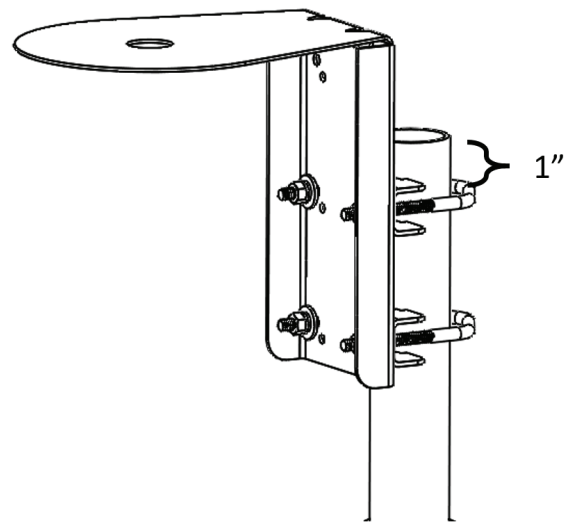


FIGURE 2

## Step 3.

Tighten the 4 nuts with your fingers, making sure equal lengths of thread extend past the nuts.

## Step 3.

Use a 7/16 in. wrench to tighten each nut one full turn beyond finger tight to compress the lock washers

# Mounting the Antenna on the Pole Mount Bracket

## Step 1.

Feed the coaxial cables from the antenna through the antenna mounting hole on the bracket. Thread the entire length of the cable through the hole.

## Step 2.

Remove the protective backing from the underside of the antenna and place the antenna on the bracket. Apply downward pressure on the antenna to stick it to the bracket.

## Step 3.

Fasten the antenna on to the bracket by threading the washers and nut through the cable. Fasten the hex nut such that the lock washer compresses flat with the washer surface. (Figure 3)

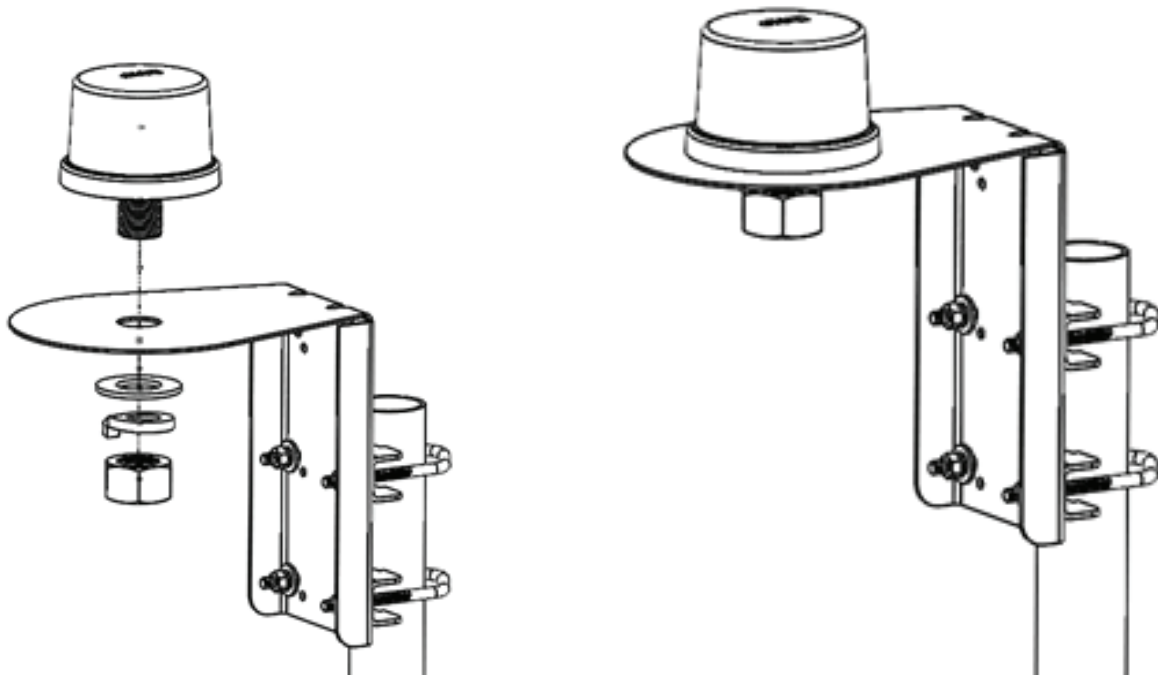


FIGURE 3

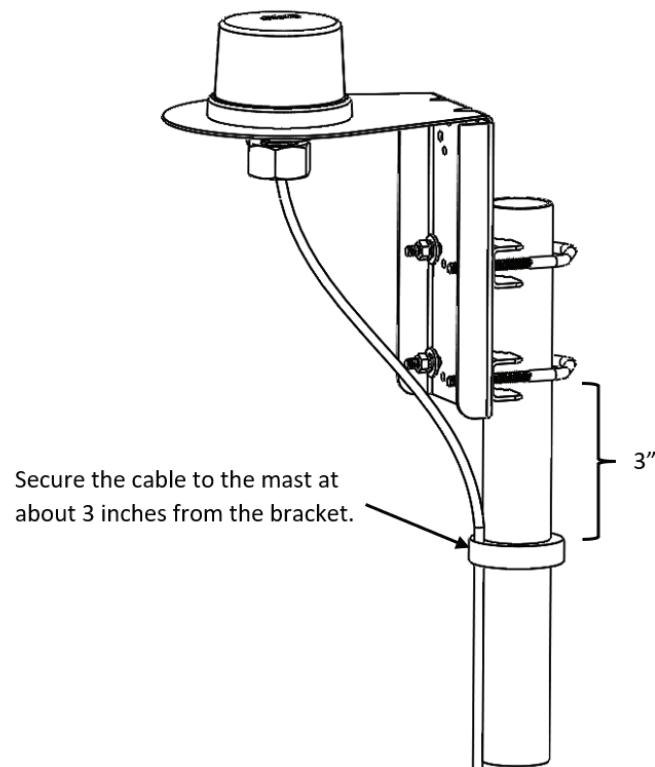
# Routing the Cables

## Step 1.

Properly route the cables making sure there is no sharp bends.

## Step 2.

Clamp the cables to the mast at about 3 inches away from the bracket. If long cables are used, secure the cable to the mast using zip ties, velcro, or tape.



**FIGURE 4**

## Step 3.

Tighten the mounting hardware and waterproof the RF connectors using electrical tape or a heat shrink tube.

**Notices:**



**CAUTION**

To comply with FCC RF Exposure requirements in section 1.1310 of the FCC Rules, antennas used with this device must be installed to provide a separation distance of at least 20 cm from all persons to satisfy RF exposure compliance.



**DO NOT**

- Operate the transmitter when someone is within 20 cm of the antenna.
- Install antenna or mast assembly on a windy day



**WARNING**

Watch out for overhead power lines. Check the distance to the power lines before starting installation.



**WARNING**

This document gives the detailed instructions to install an antenna to the best of our knowledge. This document is for general information only. It cannot be used as a warranty. Parsec Technologies, Inc. will not accept any liability for any damage caused by an antenna due to unknown variables.