



Ideal for

- FirstNet
- Emergency Communications
- High Speed Video Transmissions
- Mobile Broadband

Bernese Mountain Dog Mobile HotSpot

9:1 Antenna



Features

- FirstNet
- 6X6 MIMO LTE
- Additional 2X2 MIMO LTE
- 5G & WIFI 6
- High Efficiency



Product Description

Parsec's Bernese Mountain Dog Series is a low profile 9:1, four element 4X4 MIMO LTE, with an additional and separate two element MIMO LTE, two element MIMO Wi-Fi, and GNSS external waterproof antenna fully contained in the lid of a customizable waterproof box.

The Bernese Mountain Dog supports the simultaneous operation of two separate LTE modems, one with 4x4 MIMO and one with 2x2 MIMO. This rugged low-profile omni-directional antenna works on all the common North American LTE bands with high efficiency. Also supports CBRS and LAA.



Patent pending.

Operation Time

- Chargetech 27k Battery: 15 - 18hrs

Frequency Ranges

LTE Frequency Range

- 617 - 894 MHz
- 1710 - 2700 MHz
- 3400 - 4000 MHz
- 5150 - 5925 MHz

WiFi Frequency Range

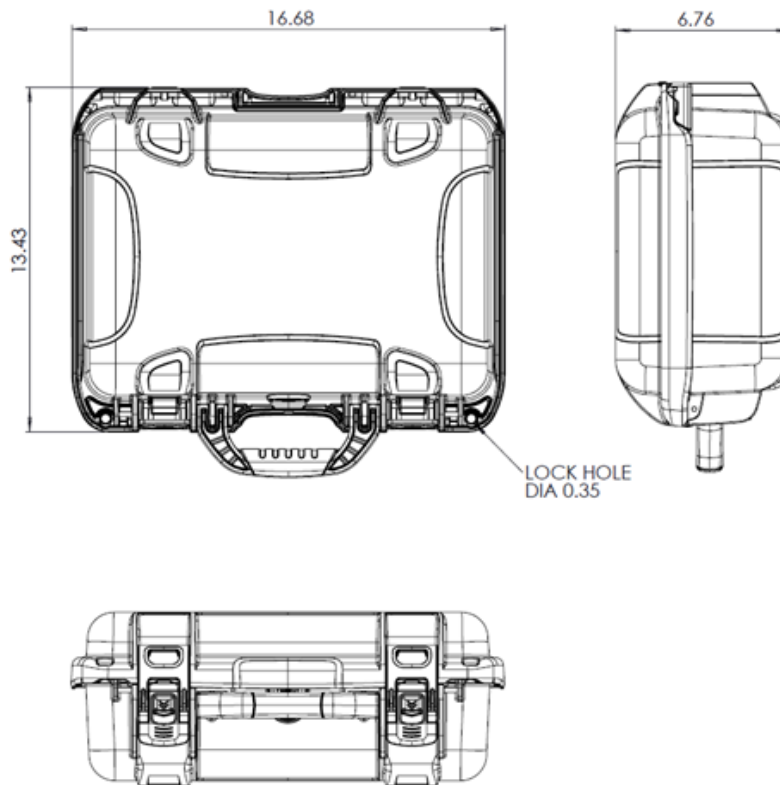
- 2400 - 2483.5 MHz
- 4900 - 5900 MHz

Specifications

LTE Bands (US Carriers)

AT&T	2, 4, 5, 14, 17, 29, 30, 46, 48, 66
Verizon	2, 4, 5, 13, 46, 48, 66
T-Mobile	2, 4, 12, 25, 26, 41, 46, 48, 66, 71
Mechanical	
Dimensions	15" x 10.5" x 6.2"
Internal Dimensions (LxWxH)	16.7" x 13.4" x 6.8"
RF Cable Length	18 inch pigtailed
Environmental	
Operating Temperature	-40°C to 85°C
Ingress Protection	IP67 waterproof when closed

Product Dimensions



Electrical Specifications

ID	Port	Parameters	Units	Typ.
Radiated Efficiency	LTE-1 thru 6	617 – 698 MHz		70
	LTE-1 thru 6	698 – 894 MHz		80
	LTE-1 thru 6	1710 – 2200 MHz		85
	LTE-1 thru 6	2200 – 2700 MHz		70
	LTE-1 thru 6	3400 – 4000 MHz	%	50
	LTE-1 thru 6	5150 – 5925 MHz		50
	GPS	1575.42 MHz		80
	WiFi-1,2	2400 – 2483.5 MHz		85
	WiFi-1,2	4900 – 5900 MHz		75
Peak Gain	LTE-1 thru 6	617 – 698 MHz		2
	LTE-1 thru 6	698 – 894 MHz		5
	LTE-1 thru 6	1710 – 2200 MHz		7
	LTE-1 thru 6	2200 – 2700 MHz		6
	LTE-1 thru 6	3400 – 4000 MHz	dB	7.5
	LTE-1 thru 6	5150 – 5925 MHz		8.5
	GPS	1575.42 MHz		6
	WiFi-1,2	2400 – 2483.5 MHz		7
	WiFi-1,2	4900 – 5900 MHz		8.5
Return Loss (50 Ω)	LTE-1 thru 6	617 – 698 MHz		7
	LTE-1 thru 6	698 – 894 MHz		9
	LTE-1 thru 6	1710 – 2200 MHz		12
	LTE-1 thru 6	2200 – 2700 MHz		7
	LTE-1 thru 6	3400 – 4000 MHz	dB	6
	LTE-1 thru 6	5150 – 5925 MHz		6
	GPS	1575.42 MHz		12
	WiFi-1,2	2400 – 2483.5 MHz		12
	WiFi-1,2	4900 – 5900 MHz		9

Electrical Specifications (Cont.)

ID	Port	Parameters	Units	Typ.
Isolation	LTE	617 – 894 MHz		10
	LTE	1710 – 2700 MHz		18
	LTE	2200 – 2700 MHz		22
	LTE	3400 – 4000 MHz	dB	27
	LTE	5150 – 5925 MHz		30
	WiFi	2400 – 2483.5 MHz		19
	WiFi	4900 – 5900 MHz		30
Polarization	LTE, WiFi		dBi	Linear
	GPS			RHCP
Max Input Power	LTE, WiFi		Watts	5
GNSS Preamp Gain	GPS		dB	28
GNSS Preamp Voltage	GPS		V	2.2 to 5.0
RF Connectors	LTE, GPS			SMA(M)
	WiFi			RP-SMA
RF Cable Type	LTE, WiFi			RG-316
	GPS			LSR100
Notes:				
1. Electrical specifications based on antenna mounted in the lid of the plastic enclosure.				
2. Gain, efficiency, return loss and isolation does not include cable loss.				

Notes:

Battery, Router, and SIM card are not included. Customers should contact Parsec's authorized Distributors and VAR's listed on our website for a full list of routers and other options that will complete the Emergency Hot Spot.

SMA connectors have a max torque of 3-5 inch lbs.

For more information on the case, please visit: <https://nanuk.com/collections/medium-cases/products/nanuk-920>

Battery Options (NOT INCLUDED)

ChargeTech Portable Power Outlet 27K 3.0 (G version)

The ChargeTech 27000mAh capacity battery has a standard outlet and is compatible with any device that requires 85 watts or less through a standard wall plug. The ChargeTech can power an IBR900 router and a fan for 15 to 18 hours. It comes with a power button which turns off the battery when held for 3 seconds. The battery is rechargeable using a DC charger rated 19.5 to 24V DC.

Ordering and Options

Configurations	Part Number	Description
9:1	PRO9MD6L2WG	6 LTE, 2 WiFi, GPS, black case with antenna built into lid
9:1	PRO9MD6L2WG-G	6 LTE, 2 WiFi, GPS, black case with antenna built into lid with Battery option (see antenna options for description).
9:1	PRO9MD6L2WG-L	6 LTE, 2 WiFi, GPS, black case with antenna built into lid with AC adapter (see antenna options for description).
9:1	PRO9MD6L2WG-A	6 LTE, 2 WiFi, GPS, black case with antenna built into lid with AC adapter (see antenna options for description).

Part Number Key

Part number example of a 9:1 Bernese Mountain Dog antenna PRO9MD6L2WG

Description	Abbreviation	Part Number
All PRO Series	PRO	PRO
Number of antennas in housing/configuration	9:1	PRO9
Antenna abbreviation for Bernese Mountain Dog	MD	PRO9MD
Number of LTE Elements	# L	PRO9MD6L
Number of WiFi Elements	# W	PRO9MD6L4W
Number of GPS Elements (usually only 1 GPS per antenna, therefore we simply list G and no number)	G	PRO9MD6L2WG
Optional G version – includes the below options	-G	PRO9MD6L2WG-G
Optional L version – includes the below options	-L	PRO9MD6L2WG-L
Optional A version – Includes the below options	-A	PRO9MD6L2WG-A

Antenna Options

Description	PRO9MD6L2WG	PRO9MD6L2WG-G	PRO9MD6L2WG-L	PRO9MD6L2WG-A
PRO9MD6L2WG	YES	YES	YES	YES
FAN	NO	YES	YES	NO
A/C Adapter	NO	NO	YES	YES
Barrel Connector	NO	YES	NO	NO
1x USB Adapter	NO	YES	NO	NO
4x RJ-45 Connectors	NO	YES	YES	NO
Router Mount Plate	NO	YES	YES	YES
Top Cover	NO	YES	YES	YES
Battery Tray	NO	YES	NO	NO
Battery: Chargtech 27k Dual AC Battery Pack - Portable Power Supply (Not Included With Antenna)				

Ordering

Accessories

PRO9MD6L2WG-G	
Included	Ethernet Cord (4), USB Cord (1)
Not Included	Ethernet Cord (4) - https://www.mcmaster.com/ethernet-cords/ethernet-cords-7/ USB Cord (1) - https://www.mcmaster.com/usb-cords/usb-cords-6/ Power Supply (1) - https://cradlepoint.com/product/accessories/cor-ibr600b-c-series-wall-power-adapter/ ChargeTech 27k AC Battery Pack

PRO9MD6L2WG-L	
Included	Ethernet Cord (4)
Not Included	Ethernet Cord (4) - https://www.mcmaster.com/ethernet-cords/ethernet-cords-7/ Power Supply (1) - https://cradlepoint.com/product/accessories/cor-ibr600b-c-series-wall-power-adapter/ Surge Protector (1) - https://www.amzn.com/dp/B00ATZJ5YS/

PRO9MD4L4WG-A	
Not Included	Power Supply (1) - https://cradlepoint.com/product/accessories/cor-ibr600b-c-series-wall-power-adapter/ Surge Protector (1) - https://www.amzn.com/dp/B00ATZJ5YS/



Parsec Technologies
972-804-4600
support@parsec-t.com