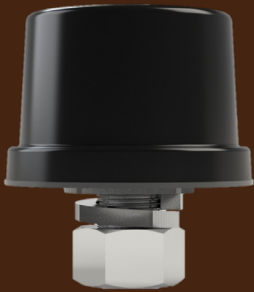




Ideal for

- *External M2M*
- *IoT*
- *SCADA*
- *Industrial Monitoring*
- *Oil and Gas*
- *Kiosks, ATMs, etc.*

Chihuahua PRO S Series



Features

- *WIFI 6*
- *COMPACT*
- *TAMPER RESISTANT*
- *HIGH EFFICIENCY*
- *HIGH PERFORMANCE*



Product Description

Parsec's Chihuahua PRO S Series is a small footprint three-in-one cellular, Wi-Fi/Bluetooth/Zigbee, and GPS external waterproof antenna. This compact rugged omni-directional antenna works on all the common worldwide LTE bands with high efficiency.

The Chihuahua S is optimized with a small footprint to fit the top of common electrical equipment boxes. The strong tamper resistant housing with no exposed connections or mounting hardware is ideally suited for use with self-service kiosks in public areas. The antenna requires a single 1 inch mounting hole.



Patent pending.

Frequency Ranges

LTE Frequency Range

698 - 960 MHz
1710 - 2700 MHz

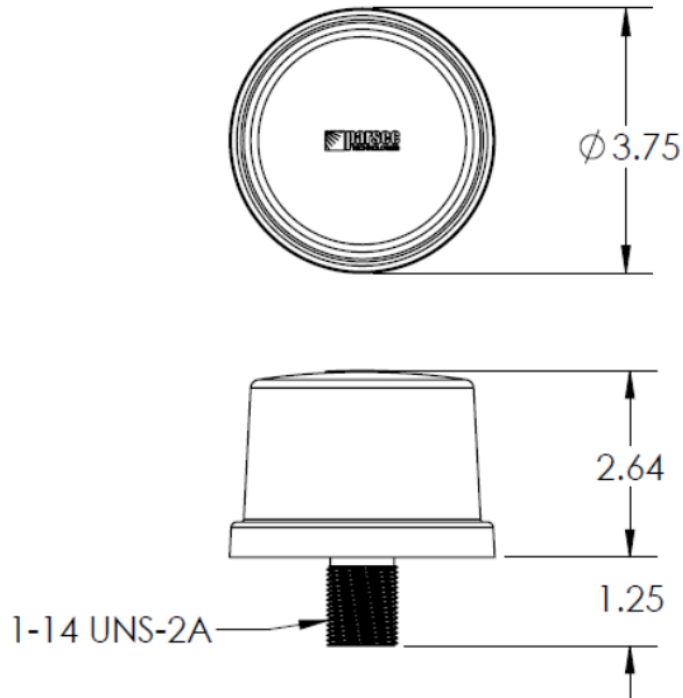
WiFi Frequency Range

2400 - 2483.5 MHz
4900 - 5900 MHz

LTE Bands (US Carriers)

AT&T	2, 4, 5, 14, 17, 29, 30, 66
Verizon	2, 4, 5, 13, 66
T-Mobile	2, 4, 12, 66
Sprint	2, 25, 26, 41
Mechanical	
Dimensions	3.75 inch diameter x 2.64 inch height
Mounting Hole	Single 1 inch
RF Cable Length	Choice of 1, 2, or 6 foot cables
Environmental	
Operating Temperature	-40°C to 85°C
Ingress Protection	IP67 waterproof

Product Dimensions



Electrical Specifications

ID	Port	Parameters	Units	Typ.
Radiated Efficiency	LTE-1,2	698 – 960 MHz		70
	LTE-1,2	1710 – 2700 MHz		70
	GPS	1575.42 MHz	%	80
	WiFi-1,2	2400 – 2483.5 MHz		70
	WiFi-1,2	4900 – 5900 MHz		70
Peak Gain	LTE-1,2	698 – 960 MHz		3.7
	LTE-1,2	1710 – 2700 MHz		4.9
	GPS	1575.42 MHz	dBi	6.0
	WiFi-1,2	2400 – 2483.5 MHz		2.2
	WiFi-1,2	4900 – 5900 MHz		4.5
Return Loss (50 Ω)	LTE-1,2	698 – 960 MHz		8
	LTE-1,2	1710 – 2700 MHz		8
	GPS	1575.42 MHz	dB	12
	WiFi-1,2	2400 – 2483.5 MHz		16
	WiFi-1,2	4900 – 5900 MHz		8
Isolation	WiFi-1 to 2	2400 – 2483.5 MHz	dB	15
	WiFi-1 to 2	4900 – 5900 MHz		15
Polarization	LTE, WiFi			Linear
	GPS			RHCP
Max Input Power	LTE, WiFi		Watts	5
GNSS Preamp Gain	GPS		dB	28
GNSS Preamp Voltage	GPS		V	2.2 to 5.0

Electrical Specifications

(Continued)

RF Connector	LTE, GPS WiFi	SMA(M) RP-SMA
RF Cable Type	LTE, WiFi GPS	LSR200 LSR100
Notes: <ol style="list-style-type: none">1. Electrical specifications based on antenna with a 5 in. x 8 in. external ground plane.2. Isolation does not include cable loss.		

Ordering

Antenna Configurations

Configurations	Part Number	Description
1:1	PRO1SL01B	1 LTE, 1ft cable, Black
	PRO1SL01W	1 LTE, 1ft cable, White
	PRO1SL06B	1 LTE, 6ft cable, Black
	PRO1SL06W	1 LTE, 6ft cable, White
	PRO1SG01B	1 GPS, 1ft cable, Black
	PRO1SG01W	1 GPS, 1ft cable, White
	PRO1SG03B	1 GPS, 3ft cable, Black
	PRO1SG03W	1 GPS, 3ft cable, White
	PRO1SG06B	1 GPS, 6ft cable, Black
	PRO1SG06W	1 GPS, 6ft cable, White
	PRO1SW06B	1 WiFi, 6ft cable, Black
	PRO1SW06W	1 WiFi, 6ft cable, White
2:1	PRO2SLW01B	1 LTE, 1 WiFi, 1ft cable, Black
	PRO2SLW01W	1 LTE, 1 WiFi, 1ft cable, White
	PRO2SLW06B	1 LTE, 1 WiFi, 6ft cable, Black
	PRO2SLW06W	1 LTE, 1 WiFi, 6ft cable, White
	PRO2S2W15B	2 WiFi, 15ft cable, Black
3:1	PRO3SLWG01B	1 LTE, 1 WiFi, 1 GPS, 1ft cable, Black
	PRO3SLWG01W	1 LTE, 1 WiFi, 1 GPS, 1ft cable, White
	PRO3SLWG06B	1 LTE, 1 WiFi, 1 GPS, 6ft cable, Black
	PRO3SLWG06W	1 LTE, 1 WiFi, 1 GPS, 6ft cable, White

Notes:

N type connector is recommended for outdoor usage due to it being waterproof. N type is also best used for cable runs longer than 25ft due to it being a stronger connection.

SMA connectors have a max torque of 3-5 inch lbs.

Hardware Accessories

Accessory	Part Number
Pole-mount bracket (makes antenna a fixed application)	PTA0149

Part Number Key

Part number example for a 3:1 Chihuahua S antenna, black:

PRO3SLWG06B

Description	Abbreviation	Part Number
All PRO Series	PRO	PRO
Number of antennas in housing/configuration	3:1	PRO3
Antenna abbreviation for Chihuahua	S	PRO3S
Number of LTE Elements	# L	PRO3SL
Number of WiFi Elements	# W	PRO3SLW
Number of GPS Elements (usually only 1 GPS per antenna, therefore we simply list G and no number)	G	PRO3SLWG
Cable length measured in feet: 01 = 1', 6 = 06'	01, 06, etc,	PRO3SLWG06
Radome Color - B for Black, W for White	B or W	PRO3SLWG06B
If Dell, add D, if not leave blank	D	PRO3SLWG06B

Custom connectors are available. Please contact us for more information.



Parsec Technologies
972-804-4600
support@parsec-t.com