

Pole Mount Bracket

Data Sheet

This heavy duty pole mount bracket is a rugged and weatherproof steel bracket designed for mounting any of the bolt mount antennas within the Parsec family of bolt mount antennas.

Features

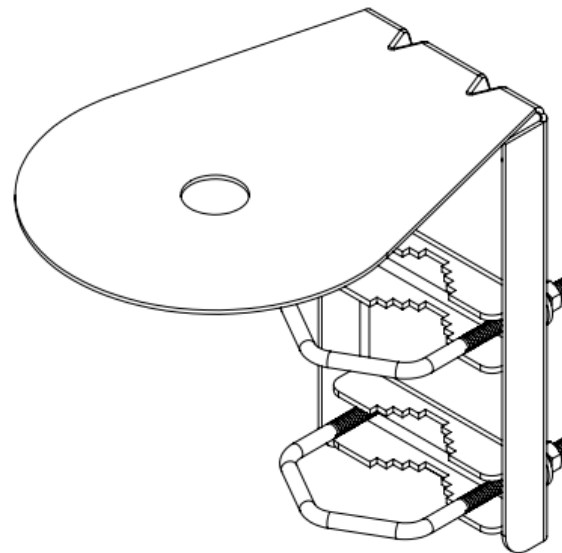
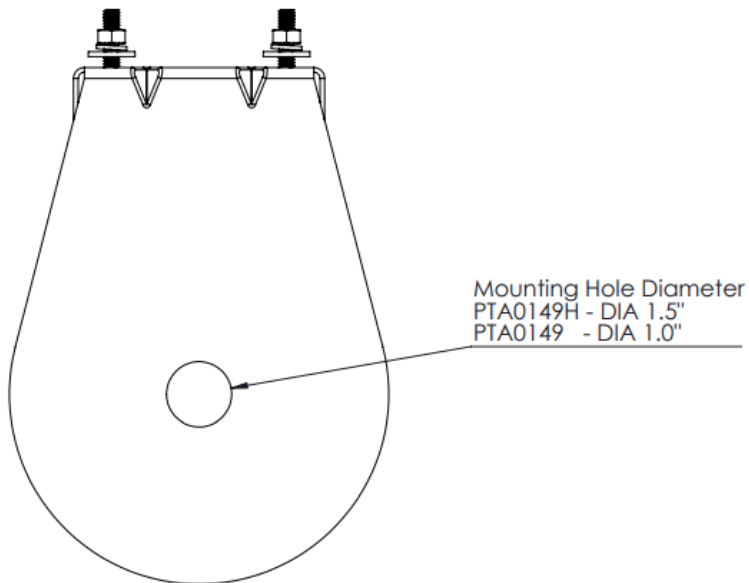
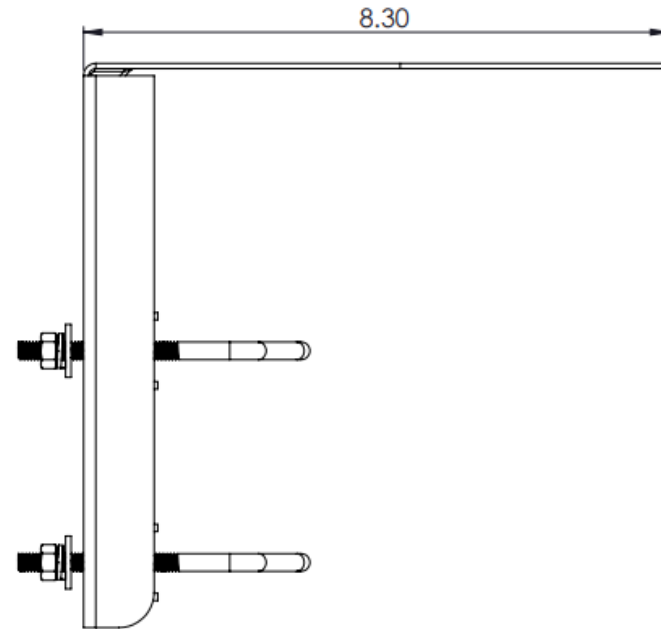
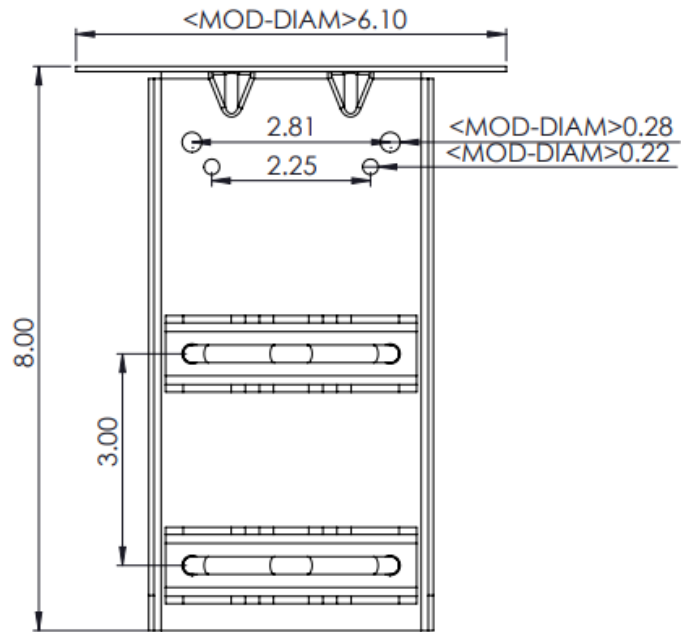
- Supports poles with 1.5in to 2.25in diameter
- Steel Construction
- Multiple Mounting Options
- Wall or Pole Mount Function
- Designed for All Environments
- Weather and Vandal Proof

Supported Antennas

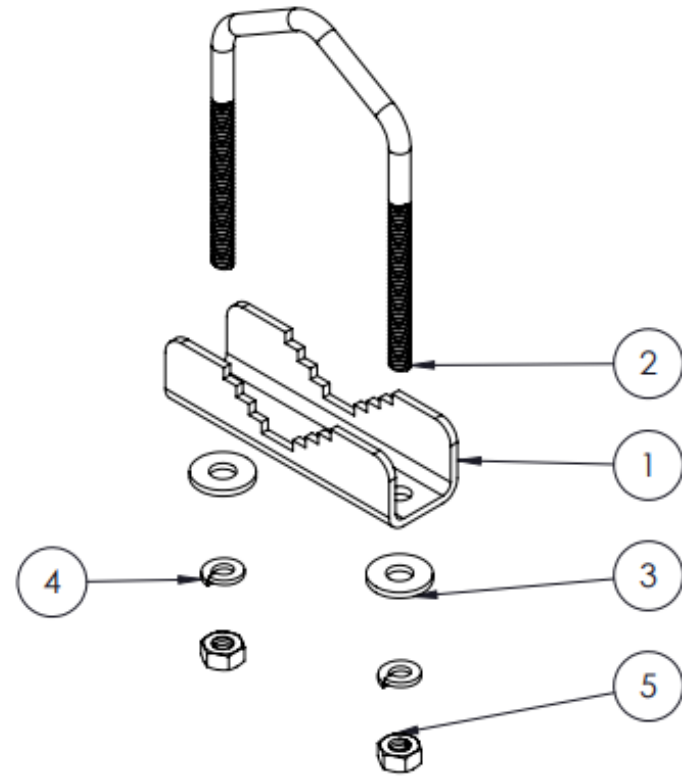
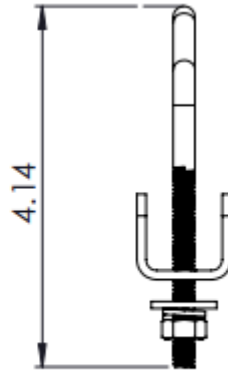
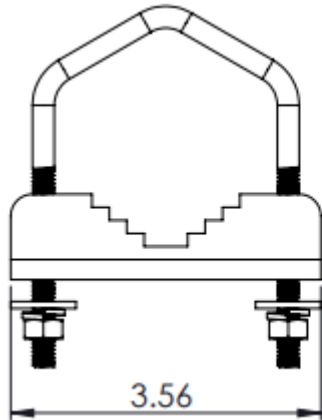
- 1 inch Bolt Mounted Antennas (PTA0149)
- 1.5 inch Bolt Mounted Antennas (PTA0149H)



PRODUCT DIMENSIONS



PRODUCT DIMENSIONS



ITEM NO.	PART NUMBER	DESCRIPTION	QTY.
1	PTA0145	SADDLE, CLAMP - 1/4"	1
2	PTA0146	V BOLT - 1/4"	1
3	PTA0144	WASHER, FLAT, 1/4, STEEL, GALVANIZED	2
4	PTA0143	WASHER, SPLIT LOCK, 1/4, STEEL, GALVANIZED	2
5	PTA0142	NUT, HEX, 1/4-20, STEEL, GALVANIZED	2

ORDERING

Pole Mount Bracket (1 inch): **PTA0149**

Pole Mount Bracket (1.5 inch): **PTA0149H**