



The Falcon series antenna is a 5G antenna with 2X2 MIMO cellular, omni-directional, window/ wall mount or countertop stand mount. Created to make working from home and remote learning a breeze with access to high performance of 600 MHz to 6 GHz 4G/5G frequencies. Also included is a mountable case that is compatible with the NETGEAR® Nighthawk® M1, Nighthawk® M5, or Nighthawk® M6 mobile router.

This compact, indoor antenna brings high speed data and extended range in an easy install solution.

Patent Pending



Configurations 2:1

Fixed Wireless | Home Network | Remote Learning K-12 | Remote Monitoring

Versatile Mounting

Window, Wall, or Tabletop Mount

Protective Mountable Case

Designed for NETGEAR® Nighthawk® M1, M5, and M6 Mobile Routers

Secure Connectors

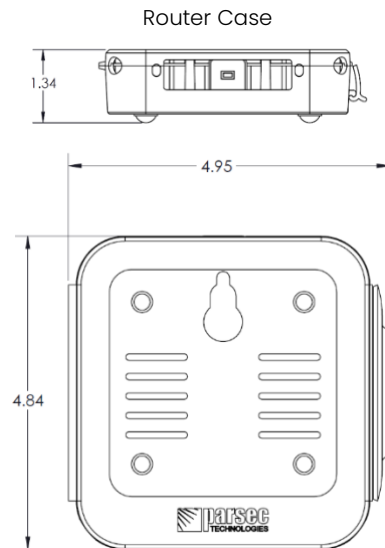
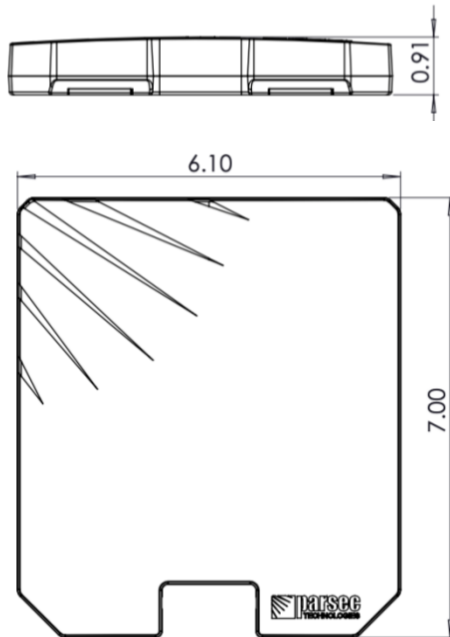
Reinforced Adapters

- 2X2 MIMO CELLULAR
- OMNI-DIRECTIONAL
- 600 MHz – 6 GHz
- AESTHETIC DESIGN
- PROTECTIVE NIGHTHAWK CASE
- DESK, WALL, OR WINDOW MOUNT
- 6.10 in X 7 in X 0.9 in

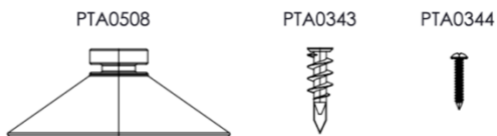
Specifications

Frequencies			
4G/5G Cellular		617-6000 MHz	
Mechanical		Environmental	
Dimension	6.10 inch x 7 inch x 0.9 inch	Operating Temperature	-30 °C to 85°C OR -22 °F to 180°F
Mounting	Built in legs, screw mount, or suction cups for window mounting	Ingress Protection	Indoor
RF Cable Length	6 ft		

Antenna Dimensions



Hardware Accessories



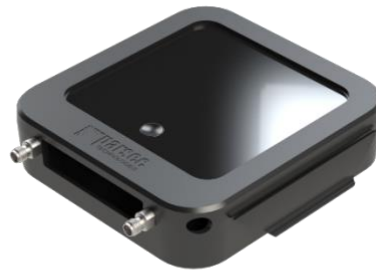
Product Images



TS9 to SMA(F) Adapters



Mountable case with Nighthawk®
mobile router by NETGEAR®
(Router not included)



Electrical Specifications

<i>ID & Unit</i>	<i>Port</i>	<i>Parameters</i>	<i>Typ.</i>
Radiated Efficiency (%)	CELL 1, 2	617-894 MHz	70
	CELL 1, 2	1710-2700 MHz	60
	CELL 1, 2	2400-4000 MHz	50
	CELL 1, 2	5150-5925 MHz	50
Peak Gain (dBi)	CELL 1, 2	617-894 MHz	2.5
	CELL 1, 2	1710-2700 MHz	2
	CELL 1, 2	2400-4000 MHz	4
	CELL 1, 2	5150-5925 MHz	4
Return Loss 50Ω (dB)	CELL 1, 2	617-894 MHz	6
	CELL 1, 2	1710-2700 MHz	6
	CELL 1, 2	2400-4000 MHz	5
	CELL 1, 2	5150-5925 MHz	9
Isolation (dB)	CELL 1, 2	617-894 MHz	10
	CELL 1, 2	1710-2700 MHz	10
	CELL 1, 2	2400-4000 MHz	20
	CELL 1, 2	5150-5925 MHz	20
Polarization (dBi)	CELL		Linear
Max Input Power (Watts)	CELL		5
RF Connectors	CELL		SMA(M)
RF Cable Type	CELL		LSR200-UF
<ul style="list-style-type: none"> • SMA connectors have a max torque of 3-5 inch lbs. • NF connectors have a max torque of 6.2-9.7 inch lbs. • Isolation, return loss, and peak gain does not include cable loss. • Parsec is currently phasing out inventory with LTE on our Cellular cables (now labeled CELL). For cables labeled LTE, please refer port "CELL" in the data sheets and installation instructions. 			

Part Number Key

Part number example of a 2:1 Falcon antenna, black: PTA2F2L06B-NG

<i>Description</i>	<i>Abbreviation</i>	<i>Part Number</i>
All PTA Series	PTA	PTA
Number of Antennas in Housing/Configuration	2:1	PTA2
Antenna Abbreviation for Falcon	F	PTA2F
Number of CELL Elements	#L	PTA2F2L
Cable length measured in feet: 01=1', 15=15'	01, 15, etc.,	PTA2F2L06
Radome color - B for Black	B	PTA2F2L06B
If SMA connector, simply leave blank		PTA2F2L06B
NETGEAR® Router	-NG	PTA2F2L06B-NG
Custom connectors and cable kits are available. Please contact us for more information at sales@parsec-t.com .		

Ordering

Standard Antennas

<i>Configs.</i>	<i>Part Number</i>	<i>Description</i>
2:1	PTA2F2L06B-NG	2 Cellular, 6 ft Cable, Black, SMA(M) black, 2 SMA(F) to TS9 Adapter Connectors

Hardware Accessories

<i>Accessory</i>	<i>Part Number</i>
Lightning Arrestor – SMA(F) to SMA(F)	PTA0476
Lightning Arrestor – N(F) to N(M)	PTA0736
SMA Wrench, Key Chain	PTA0194



Parsec Antennas

972-804-4600

support@parsec-t.com