



The Bloodhound R19D case antenna is a 5G, emergency mobile hot spot with a 12:1 configuration designed to provide on-the-go network solutions in areas where cellular infrastructure may be compromised. This rugged, high-performance antenna is specifically designed for Cradlepoint R1900 with RX30 dock with easy access to router and SIM ports. This case antenna provides full use of the 5G 600 MHz to 6 GHz spectrum for first responders, critical communications, surveillance, covert operations, and more.

The Bloodhound case uses shock absorption and impact resistant resin to reduce damage and loss of performance due to hard use. Customizable special features make the Bloodhound one of our best-selling cases for high profile network solutions.

Patented



Configurations 12:1



Emergency Communications | Primary & Failover | Remote Video Monitoring

Failover Ready

Up to 4 SIM Capability*

Long Lasting

Up to 18 Hour Battery Life

Durable

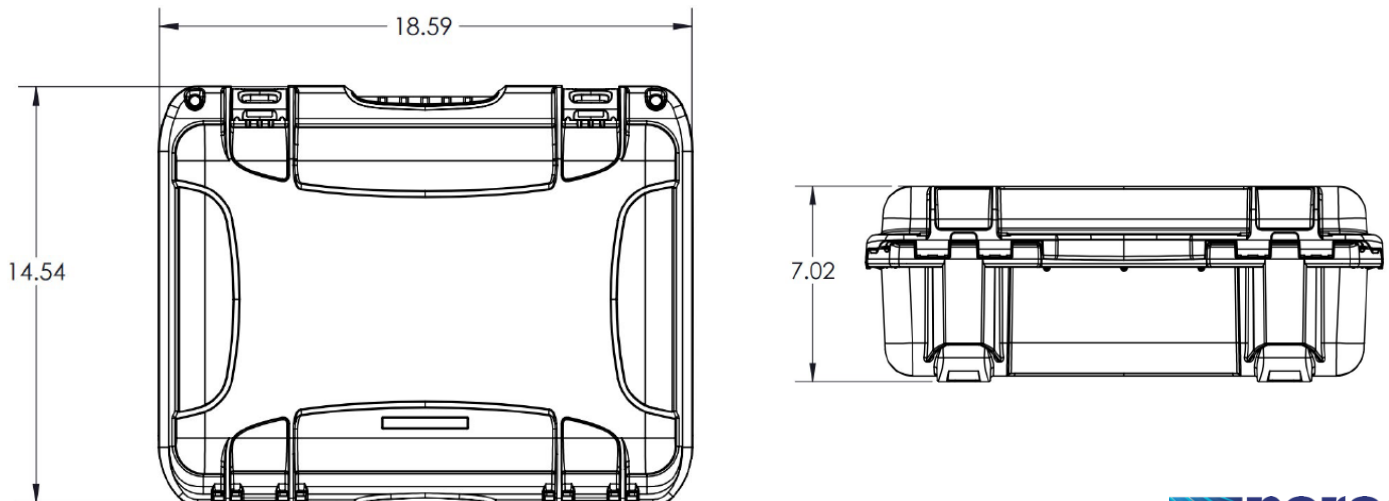
Shock Resistant Mobile Case

- 8X8 MIMO CELLULAR
- 2X2 MIMO WI-FI
- OMNI-DIRECTIONAL
- GPS & BLUETOOTH
- 600 MHz - 6 GHz
- 18.59 in X 14.54 in X 7.02 in
- WI-FI 6 COMPATIBLE

Specifications

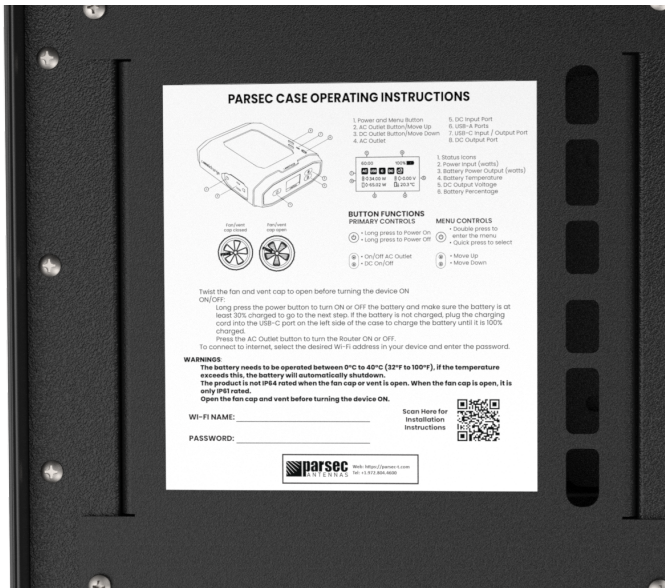
Frequencies			
4G/5G Cellular	617-894 MHz 1710-2700 MHz 3300-4000 MHz 5150-5925 MHz	Wi-Fi	2400-2483.5 MHz 4900-5900 MHz
4G/5G Bands			
North America	B2, B4, B5, B7, B12, B13, B14, B17, B25, B26, B29, B30, B41, B46, B48, B66, B71 n2, n5, n12, n25, n26, n41, n48, n66, n71, n77		
EMEA	B1, B3, B7, B20, B28, B42, B43, B46 n1, n3, n28, n77, n78		
Mechanical		Environmental	
Dimensions	18.59 inch X 14.54 inch X 7.02 inch	Operating Temperature	-40 °C to 85°C OR -40 °F to 180°F
RF Cable Length	18 inch Pigtailed	Ingress Protection	IP54 *when all ports and lid are closed
Max Router Configuration	8 Cellular, 4 Wi-Fi, GPS		
Router Required	Cradlepoint R1900 Series 5G Ruggedized Router with RX30-MC Dock		
Battery Required	OmniCharge Omni Ultimate+ 120v (Mfr. SKU# OP2FA003)		
<ul style="list-style-type: none"> • Temperature range is for antenna only. Equipment installed inside the enclosure may have a different temperature range. • *Openings in the enclosure for options like fans and power cords may reduce ingress protection even with covers installed. • All accessories (Router & Battery) are to be purchased separately. 			

Dimensions



Product Images





Electrical Specifications

ID & Unit	Port	Parameters	Typ.
Radiated Efficiency (%)	CELL 1 thru 8	617-698 MHz	70
	CELL 1 thru 8	698-894 MHz	80
	CELL 1 thru 8	1710-2200 MHz	85
	CELL 1 thru 8	2200-2700 MHz	70
	CELL 1 thru 8	3300-4000 MHz	50
	CELL 1 thru 8	5150-5925 MHz	50
	Wi-Fi 1 thru 4	2400-2483.5 MHz	85
	Wi-Fi 1 thru 4	4900-5900 MHz	70
Peak Gain (dBi)	Bluetooth	2400-2483.5 MHz	85
	CELL 1 thru 8	617-698 MHz	2
	CELL 1 thru 8	698-894 MHz	4
	CELL 1 thru 8	1710-2200 MHz	7
	CELL 1 thru 8	2200-2700 MHz	7.5
	CELL 1 thru 8	3300-4000 MHz	7.5
	CELL 1 thru 8	5150-5925 MHz	8.5
	Wi-Fi 1 thru 4	2400-2483.5 MHz	7
Peak Gain (dBi)	Wi-Fi 1 thru 4	4900-5900 MHz	8.5
	Bluetooth	2400-2483.5 MHz	7

Return Loss 50Ω (dB)	CELL 1 thru 8	617-698 MHz	8
	CELL 1 thru 8	698-894 MHz	9
	CELL 1 thru 8	1710-2200 MHz	12
	CELL 1 thru 8	2200-2700 MHz	7
	CELL 1 thru 8	3300-4000 MHz	5
	CELL 1 thru 8	5150-5925 MHz	7
	Wi-Fi 1 thru 4	2400-2483.5 MHz	13
	Wi-Fi 1 thru 4 Bluetooth	4900-5900 MHz 2400-2483.5 MHz	9 13
Isolation (dB)	CELL 1 thru 4	617-894 MHz	22
	CELL 1 thru 4	1710-2700 MHz	20
	CELL 1 thru 4	2200-2700 MHz	20
	CELL 1 thru 4	3300-4000 MHz	24
	CELL 1 thru 4	5150-5925 MHz	30
	CELL 5 thru 8	617-894 MHz	12
	CELL 5 thru 8	1710-2700 MHz	16
	CELL 5 thru 8	2200-2700 MHz	17
	CELL 5 thru 8	3300-4000 MHz	18
	CELL 5 thru 8	5150-5925 MHz	30
	CELL Adjacent	617-894 MHz	8
	Wi-Fi	2400-2483.5 MHz	20
	Wi-Fi Bluetooth	4900-5900 MHz 2400-2483.5 MHz	25 20
Polarization (dBi)	CELL, Wi-Fi		Linear
	Bluetooth		Linear
Max Input Power (Watts)	CELL, Wi-Fi, Bluetooth		5
RF Connectors	CELL		SMA(M)
	Wi-Fi, Bluetooth		RPSMA (M)
RF Cable Type	CELL, Wi-Fi Bluetooth		RG316
<ul style="list-style-type: none"> CELL 1 thru 4 are grouped together for one modem with CELL 5 thru 8 connected to the other modem. Isolation, return loss, and peak gain does not include cable loss. SMA connectors have a max torque of 3-5 in-lbs. Electrical specifications based on antenna mounted in the lid of the plastic enclosure. <p>*Battery, router, and SIM Card are not included. Customers should contact Parsec's authorized distributors and VAR's listed on our website for a full list of routers and other options that will complete the Emergency Hot Spot.</p>			

GNSS Electrical Specifications

ID & Unit	Port	Parameters	Typ.
Antenna + Preamp Gain (dBic)	GPS	1570-1581 MHz	33
Polarization	GPS		RHCP
Filter Rejection (dB)	GPS	1625 MHz	12
GNSS Preamp Voltage (mA)	GPS		2.2 to 5
GNSS Preamp Current (mA)	GPS		5 to 15
RF Connector	GPS		SMA(M)
RF Cable Type	GPS		LSR100

Part Number Key

Part number example for a 12:1 Bloodhound antenna: PRO12BH8L2WBG-R19D

Description	Abbreviation	Part Number
All PRO Series	PRO	PRO
Number of Antennas in Housing/Configuration	12:1	PRO12
Antenna Abbreviation for Bloodhound	BH	PRO12BH
Number of Cellular Elements	#L	PRO12BH8L
Number of Wi-Fi Elements	#W	PRO12BH8L2W
Bluetooth	#B	PRO12BH8L2WB
Number of GPS Elements	G	PRO12BH8L2WBG
Special Design R1900 with dock	-R19D	PRO12BH8L2WBG-R19D
Custom case colors and connectors are available. For more information contact sales@parsec-t.com.		

Ordering

Our Bloodhound antenna consists of a protective case with the antenna built into the lid.

Config.	Part Number	Description
12:1	PRO12BH8L2WBG-R19D	8 Cellular 2 Wi-Fi, Bluetooth, GPS, Black Case with Antenna Build into Lid with Omnicharge Omni Ultimate+ 120v Battery (Not Included) (see antenna options for description)

Antenna Options

Description	PRO12BH8L2WBG-R19D
Antenna	YES
2x Fan and Vent	YES
AC Adapter	NO
USB-C Connector	YES
3x RJ-45 Connectors	YES
Router Mount Tray	YES
Top Cover	YES
Omnicharge Battery Tray	YES
Battery: Omnicharge Omni Ultimate+ 120v (Not Included with Antenna. Must Be Purchased Separately.) For more information, see our installation instructions at Parsec-t.com for Bloodhound Case Series.	

Additional Hardware Accessories

Accessory	Part Number
RJ-45 Adapter	PTA0415
USB-A Panel Mount	PTA0448
USB-C Connector	PTA0633
Top Cover Plate Mounting Screws	PTA0351
40mm Vent and Cap Kit	PTA0477
40mm Fan Replacement Kit (Includes screws and nuts)	PTA0764
SMA Wrench, Key Chain	PTA0194
Service: Router Installation	PTA-Install-185



Parsec Antennas
972-804-4600
support@parsec-t.com