



The Parsec 5G Antenna is a 2X2 MIMO cellular, omni-directional 5G antenna optimized for C-Band to provide excellent efficiency in a minimalistic design. This high-performance antenna is perfect for future proofing any factory automation, IoT application, retail, or SMB network solution.

This IP54 rated antenna has a compact wall mount that can be installed indoors for multiple use cases. The unique, all-in-one mounting plate allows you to wall mount, window mount, or desktop mount this device (hardware included).

Patent Pending



## Configurations 2:1

In-Home Connectivity | Office Network | Retail Enterprise

### *Future Proof*

Features 5G & C-Band

### *Easy Install*

All-In-One Wall, Window, or Desktop Mount

### *Durable*

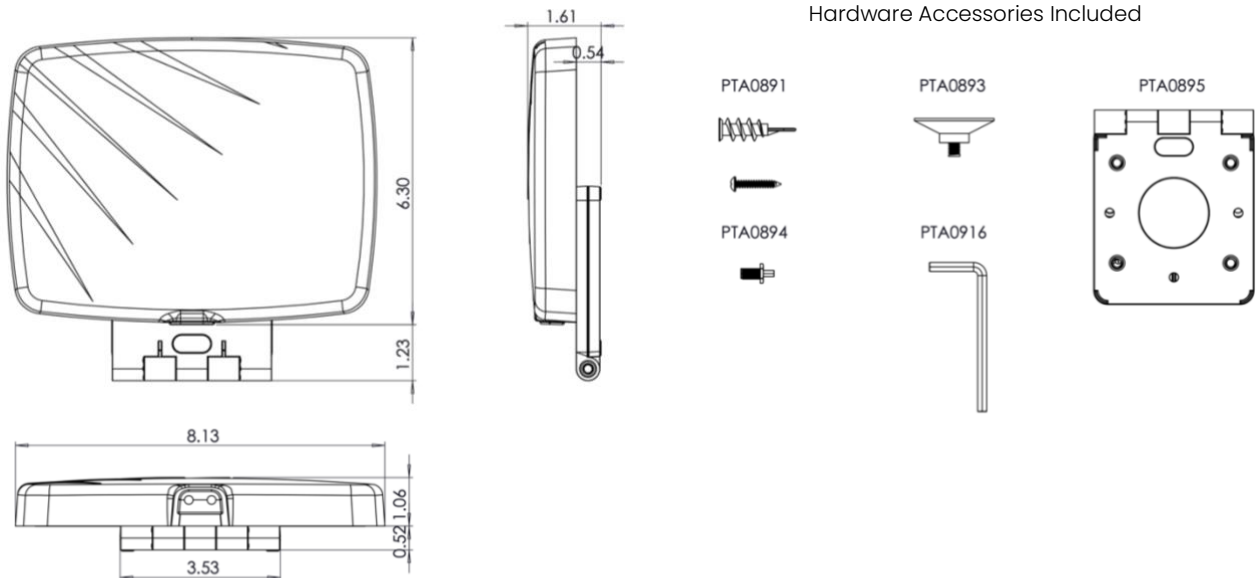
IP54 Rated for Indoor Use

- 2X2 MIMO CELLULAR
- OMNI-DIRECTIONAL
- 600 MHz - 6 GHz
- INDOOR/ OUTDOOR
- WALL OR POLE MOUNT
- 8.13 in X 7.78 in X 1.72 in

# Specifications

<b>Frequencies</b>			
4G/5G Cellular	617-894 MHz 1710-2700 MHz 3300-4000 MHz 5150-5925 MHz		
<b>4G/5G Bands</b>			
North America	B2, B4, B5, B7, B12, B13, B14, B17, B25, B26, B29, B30, B41, B46, B48, B66, B71 n2, n5, n12, n25, n26, n41, n48, n66, n71, n77		
EMEA	B1, B3, B7, B20, B28, B42, B43, B46 n1, n3, n8, n77, n78		
<b>Mechanical</b>	<b>Environmental</b>		
Dimensions	8.13 inch X 7.78 inch X 1.72 inch thickness excluding mounting bracket	Operating Temperature	-30 °C to 85°C OR -22 °F to 180°F
Ingress Protection	IP54		
RF Cable Length	15 ft cables		

# Dimensions



## Product Images



## Desktop Mount



## Product Images Cont'd

Window Mount



Wall Mount



## Electrical Specifications

<i>ID &amp; Unit</i>	<i>Port</i>	<i>Parameters</i>	<i>Typ.</i>
Radiated Efficiency (%)	CELL 1, 2	617-663 MHz	55
	CELL 1, 2	663-698 MHz	65
	CELL 1, 2	698-798 MHz	75
	CELL 1, 2	798-894 MHz	70
	CELL 1, 2	1710-1915 MHz	80
	CELL 1, 2	1915-2700 MHz	70
	CELL 1, 2	3400-4000 MHz	70
	CELL 1, 2	5150-5925 MHz	50
Peak Gain (dBi)	CELL 1, 2	617-663 MHz	1
	CELL 1, 2	663-698 MHz	1.5
	CELL 1, 2	698-894 MHz	2.5
	CELL 1, 2	1710-1915 MHz	3.5
	CELL 1, 2	1915-2700 MHz	4
	CELL 1, 2	3300-4000 MHz	4.5
	CELL 1, 2	5150-5925 MHz	3
Return Loss 50Ω (dB)	CELL 1, 2	617-663 MHz	3
	CELL 1, 2	663-698 MHz	7
	CELL 1, 2	698-798 MHz	9
	CELL 1, 2	798-894 MHz	7
	CELL 1, 2	1710-1915 MHz	9
	CELL 1, 2	1915-2700 MHz	6
	CELL 1, 2	3300-4000 MHz	7
	CELL 1, 2	5150-5925 MHz	3
Isolation (dB)	CELL 1, 2	617-698 MHz	11
	CELL 1, 2	698-798 MHz	10
	CELL 1, 2	798-894 MHz	13
	CELL 1, 2	1710-1915 MHz	10
	CELL 1, 2	1915-2700 MHz	14
	CELL 1, 2	3300-4000 MHz	20
	CELL 1, 2	5150-5925 MHz	30
Polarization (dBi)	CELL		Linear
Max Input Power (Watts)	CELL		5
RF Connectors	CELL		SMA(M)
RF Cable Type	CELL		LSR200
<ul style="list-style-type: none"> <li>• Isolation, return loss, and peak gain does not include cable loss.</li> <li>• Performance will be degraded if the antenna is mounted close to wiring or metal wall studs.</li> <li>• SMA connectors have a max torque of 3-5 inch lbs.</li> </ul>			

## *Additional Hardware Accessories*

<i>Accessory</i>	<i>Part Number</i>
Replacement Pole Mount Assembly	PTA0147
Lightning Arrestor – SMA(F) to SMA(F)	PTA0476
Lightning Arrestor – N(F) to N(M)	PTA0736
SMA Wrench, Key Chain	PTA0194
Service: Cable Sleeving (Priced Per Ft)	Cable Sleeving



**Parsec Antennas**

**972-804-4600**

**[support@parsec-t.com](mailto:support@parsec-t.com)**