



# Bernese Mountain Dog Pro Series

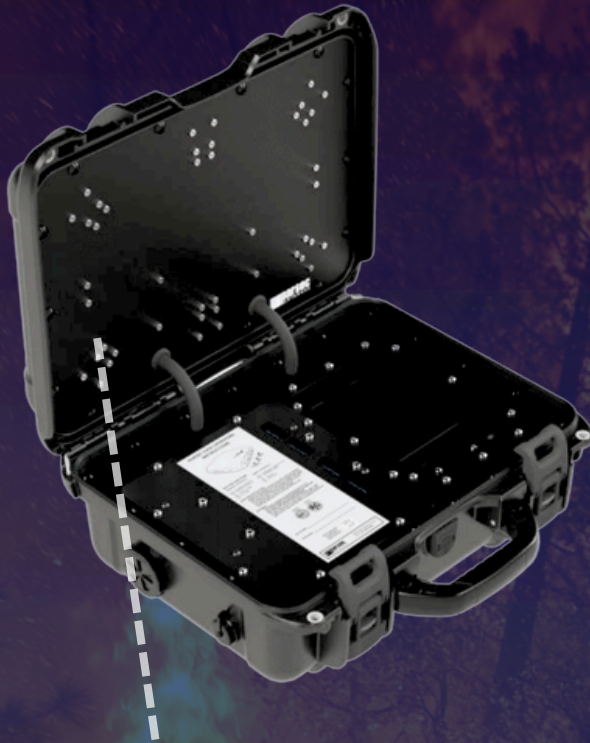
Rugged, Portable, High Performance Case  
for Primary or Failover



# Bernese Mountain Dog Pro Series



High-performance network access beyond infrastructure.



Antenna built seamlessly into  
Case Lid

The Bernese Mountain Dog PRO Series is engineered to deliver dependable, high-speed wireless connectivity in challenging environments. Designed as a **5G** emergency mobile hotspot, it supports **multiple** wireless technologies and network redundancy features to keep users connected when traditional infrastructure is unavailable or compromised.

- Up to 6x6 MIMO Cellular
- Up to 4X4 MIMO Wi-Fi
- Omni-Directional
- Optional GPS & Bluetooth

## Reliable Communications Wherever You Go Advanced Connectivity

With a streamlined design, this device is a high-performing mobile network solution for any type of failover with **dual SIM capability** to maintain connectivity by switching between network providers when needed.

Built as a durable, shock-resistant case, it contains **high isolation and built-in ground plane** to improve signal quality and **reduce interference** between antennas elements.



# Bernese Mountain Dog Pro Series

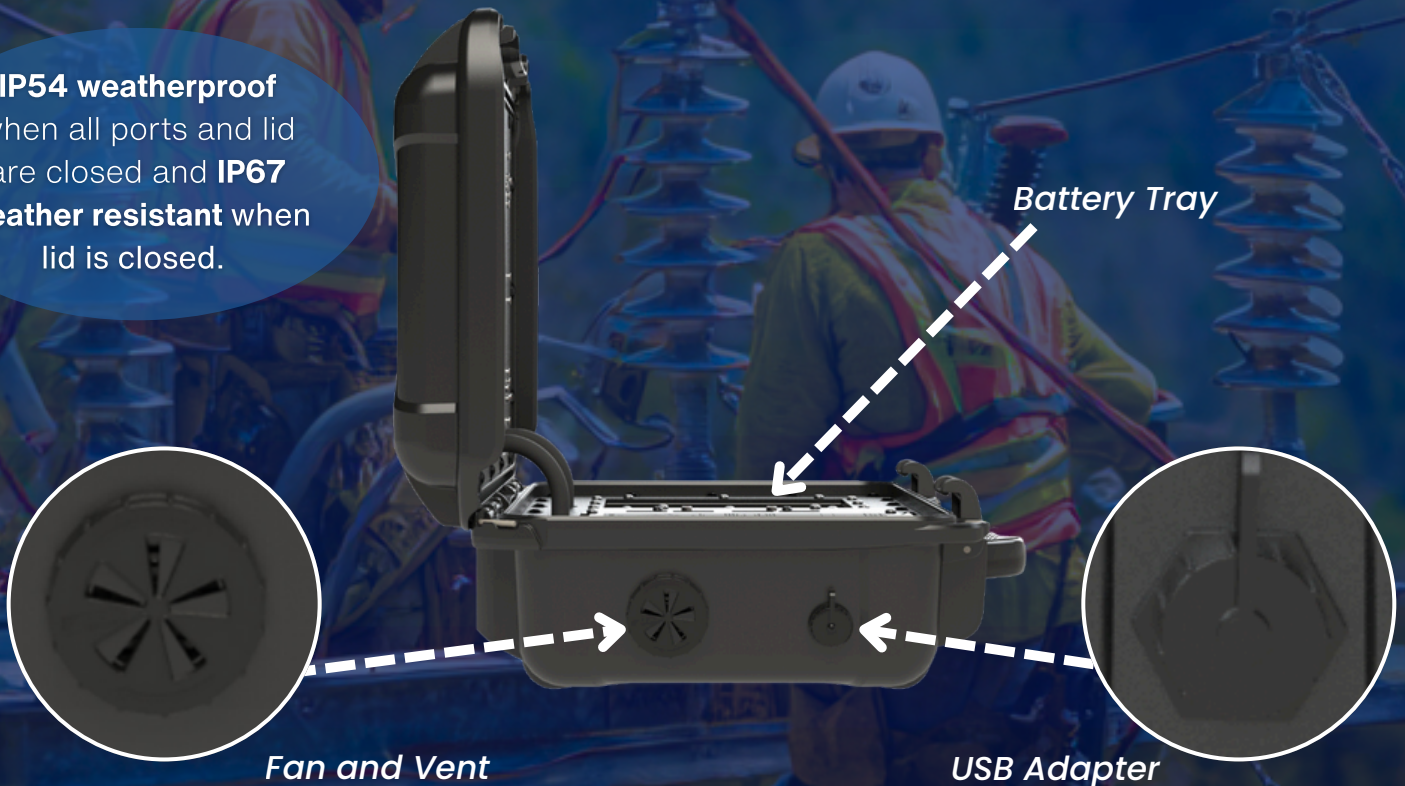


High-performance network access beyond infrastructure.

## Reliable Communications Without Compromise Extending Connectivity Further

Designed for extended mobile operations, the case includes integrated cooling with a **built-in fan and vent system**, up to **four RJ45 panel mounts** for flexible connectivity, and a **long-lasting battery** that provides up to **6–8 hours of operation**.

**IP54 weatherproof** when all ports and lid are closed and **IP67 weather resistant** when lid is closed.



- 6-8 Hours Battery Life
- 600 MHz to 6000 MHz
- Antenna Seamlessly Integrated into the Case Lid

High-performance network access beyond infrastructure.

## Built for Durability, Mobility, and Steady Operation Performance Beyond the Network Edge

Built for demanding field operations, this case antenna combines rugged durability with reliable wireless performance. Its **shock-resistant case** is constructed from **impact-resistant resin** and **shock-absorbing materials** to help **protect critical equipment** in harsh environments, while its **field-serviceable design** allows for easy maintenance and support during **remote** deployments.



- Rugged High-Efficiency, High-Gain Antenna
- Rural, Suburban, and Long-Distance Communication
- On-The-Go Network Solution
- Low - to Mid-Band Frequencies

# Built For Real-World Operations

## Applications



**Critical Responders**



**Transportation / Fleet**



**Education Buildings**



**Government Buildings**



**Remote Surveillance**



**Primary & Failover Network**

## Why Choose the Bernese Mountain Dog

- Rugged High-Efficiency, High-Gain Antenna
- 6-8 Hours Battery Life
- On-The-Go Network Solution
- Mission Ready



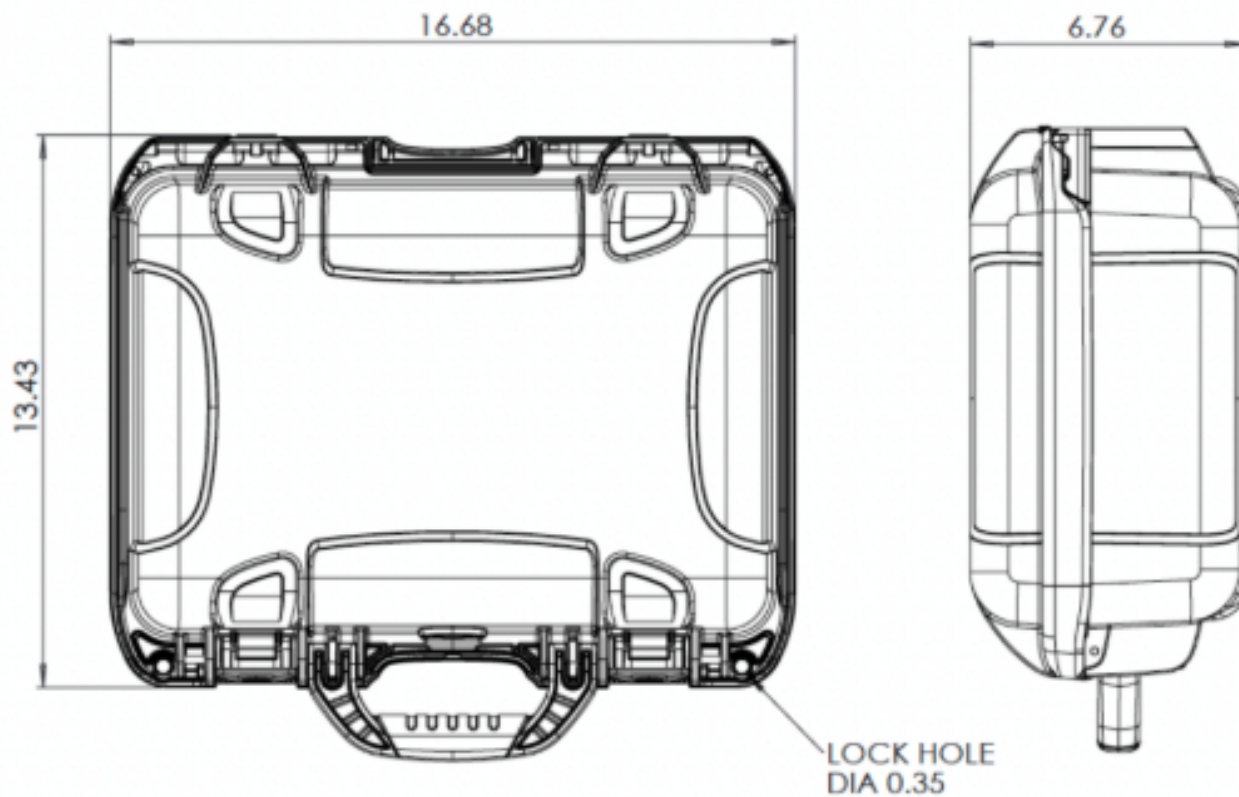
## Specification Overview

PRO Bernese Mountain Dog Series		
<b>Applications:</b>	Emergency Communication, Backup Mobile Command Center	
<b>Configurations:</b>	9:1-6 CELL, 2 Wi-Fi, GPS 9:1-4 CELL, 4 Wi-Fi, GPS	
<b>Categories:</b>	Enterprise, Mobile, Public Safety, 5G	
<b>Antennas Included:</b>	Cellular, Wi-Fi, Bluetooth and GPS	
<b>Type:</b>	Case/Enclosure	
<b>Antenna Pattern:</b>	Omni-Directional	
<b>Available Colors:</b>	Black	
<b>Cable Type:</b>	Cellular	RG-316
	Wi-Fi	RG-316
	GPS	LSR100
<b>Standard Cable Length:</b>	18 IN Pigtails	
<b>Standard Connector options:</b>	Cellular	SMA(M)
	Wi-Fi	RP-SMA(M)
	GPS	SMA(M)

## Specifications

<b>Frequencies</b>			
<b>4G/5G Cellular</b>	617-894 MHz 1710-2700 MHz 3300-4000 MHz 5150-5925 MHz	<b>Wi-Fi</b>	2400-2483.5 MHz 4900-5900 MHz
		<b>GPS</b>	1575.42 MHz
<b>4G/5G Bands</b>			
<b>North America</b>		B2, B4, B5, B7, B12, B13, B14, B17, B25, B26, B29, B30, B41, B46, B48, B66, B71, n2, n5, n12, n25, n26, n41, n48, n66, n71, n77	
<b>EMEA</b>		B1, B3, B7, B20, B28, B42, B43, B46, n1, n3, n28, n77, n78	
<b>Mechanical</b>		<b>Environmental</b>	
<b>Dimensions</b>	16.68 inch x 13.43 inch x 6.76 inch	<b>Operating Temperature</b>	-30 °C to 85°C OR -22 °F to 180°F
<b>Power</b>	110-120 Volt AC (60 Hz)	<b>Ingress Protection</b>	IP67 for -A Version *when closed
<b>Battery (not included)</b>	OmniCharge 20C + OP2CPA01 Custom Battery (-G2 Version)		IP54 for -G2, -G2B, & L Version *when all ports and lid are closed
<b>Battery (included)</b>	OmniCharge 20C+OP2CPA01 Custom Battery (-G2B Version)		
<b>Connectors</b>	CELL: SMA (M) Wi-Fi: RP-SMA (M) GPS: SMA (M)	<b>Radome Material</b>	Plastic
<b>Router Options</b>	Ericsson R920 with Dock Ericsson R980 Ericsson R1900	<b>RF Cable Length</b>	18 inch pigtailed
		<b>Max Router Configuration</b>	6 Cellular, 2 Wi-Fi, GPS, OR 4 Cellular, 4 Wi-Fi, GPS
		<b>Max Router Dimensions</b>	6" X 7" X 2.5"
<ul style="list-style-type: none"> <li>For customizations, such as Connector Type, Cable Length, Color, Configuration, and Branding, please reach out to Parsec at sales@parsec-t.com.</li> <li>For different router configurations, reach out to Parsec for more information.</li> <li>Temperature range is for antenna only. Equipment installed inside the enclosure may have a different temperature range.</li> </ul> <p>*Openings in the enclosure for options like fans and power cords may reduce ingress protection even with covers installed.</p>			

## Technical Drawing



*Figure 1: Bernese Mountain Dog Blueprint*

## Part Number Key & Ordering Guide

*(Part number example for an 8:1 Bernese Mountain Dog antenna: PRO8MD4L2WBG)*

<i>Description</i>	<i>Abbreviation</i>	<i>Part Number</i>
<b>All PRO Series</b>	PRO	PRO
<b>Number of Antenna in Housing/Configuration</b>	8:1	PRO8
<b>Antenna Abbreviation for Bernese Mountain Dog</b>	MD	PRO8MD
<b>Number of Cellular Elements</b>	#L	PRO8MD4L
<b>Number of Wi-Fi Elements</b>	#W	PRO8MD4L2W
<b>Bluetooth</b>	#B	PRO8MD4L2WB
<b>Number of GPS Elements</b>	G	PRO8MD4L2WBG
<b>Optional G2 Version - Includes the options listed</b>	-G2	PRO8MD4L2WBG-G2
<b>Optional L Version - Includes the options listed</b>	-L	PRO8MD4L2WBG-L

For customizations, such as Connector Type, Cable Length, Configuration, and Branding, please reach out to Parsec at [sales@parsec-t.com](mailto:sales@parsec-t.com).  
MOQ Applicable.

## Maximum Configurations

<i>Configurations</i>	<i>Part Number</i>	<i>Description</i>
<b>9:1</b>	PRO9MD6L2WG	6 Cellular, 2 Wi-Fi, GPS, Black Case with Antenna Build into Lid
	PRO9MD6L2WG-L	6 Cellular, 2 Wi-Fi, GPS, Black Case with Antenna Build into Lid with AC Adapter (see antenna options for description)
	PRO9MD6L2WG-G2B	6 Cellular, 2 Wi-Fi, GPS, Black Case with Antenna Build into Lid with 20K Battery (see antenna options for description)
	PRO9MD4L4WG-L	4 Cellular, 4 Wi-Fi, GPS, Black Case with Antenna Build into Lid with AC Adapter (see antenna options for description)
	PRO9MD4L4WG-G2B	4 Cellular, 4 Wi-Fi, GPS, Black Case with Antenna Build into Lid with 20K Battery (see antenna options for description)

# Bernese Mountain Dog Pro Series



<i>Description</i>	<i>PRO8MD4L2WBG</i>	<i>-A Version</i>	<i>-L Version</i>	<i>-G2B Version</i>
Antenna	Yes	Yes	Yes	Yes
Fan and Vent	No	No	Yes	Yes
AC Adapter (IEC C14)	No	Yes	Yes	No
Barrel Connector	No	No	Yes	No
USB-C Connector	No	No	No	Yes
USB-A Connector	No	No	Yes	No
4x RJ-45 Connectors	No	No	Yes	Yes
Router Mount Plate	No	No	Yes	Yes
Top Cover	No	No	Yes	Yes
20C+ Battery Tray	No	No	No	Yes
OmniCharge 20C + Custom Battery	No	No	No	Yes
<p>Battery: -G2 Version: OmniCharge 20C+ OP2CPA01 Custom Battery                      (Batteries are not included with the Antenna and must be purchased separately.)                      OmniCharge 20C+ OP2CPA01 Custom Battery and charger are included with the-G2B Version.                      For more information, see our installation instructions at <a href="http://Parsec-t.com">Parsec-t.com</a> for Bernese Mountain Dog Case Series.</p>				

## Hardware Accessories

Accessories	Part Number
RJ-45 Adapter	PTA0415
USB-A Panel Mount	PTA0448
USB-C Connector	PTA0633
Interchangeable Accessories	
Bernese Mountain Dog G2 Cover Plate Upgrade Kit	PTA1055
Replacement Parts	
Omnicharge 20C + Custom Battery (OP2CPA01)	PTA1180
OmniCharge 65W Charger	PTA0746
Top Cover Plate Mounting Screw Kit	PTA0858
Router Mounting Screw Kit	PTA1028
40mm Fan Replacement Kit (Includes screws and nuts)	PTA0764
40mm Vent and Cap Kit	PTA0477
SMA Wrench, Key Chain	PTA0194
Service: Router Installation	PTA-Install-185

## Electrical Specifications

<i>ID</i>	<i>Port</i>	<i>Parameters</i>	<i>Typ.</i>
<b>Radiated Efficiency (%)</b>	CELL 1 thru 6	617-698 MHz	70
	CELL 1 thru 6	698-894 MHz	80
	CELL 1 thru 6	1710-2200 MHz	85
	CELL 1 thru 6	2200-2700 MHz	70
	CELL 1 thru 6	3300-4000 MHz	50
	CELL 1 thru 6	5150-5925 MHz	50
	GPS	1575.42 MHz	80
	Wi-Fi 1 thru 2	2400-2483.5 MHz	85
	Wi-Fi 1 thru 2	4900-5900 MHz	75
	Bluetooth	2400-2483.5 MHz	85
<b>Peak Gain (dBi)</b>	CELL 1 thru 6	617-698 MHz	2
	CELL 1 thru 6	698-894 MHz	5
	CELL 1 thru 6	1710-2200 MHz	7
	CELL 1 thru 6	2200-2700 MHz	6
	CELL 1 thru 6	3300-4000 MHz	7.5
	CELL 1 thru 6	5150-5925 MHz	8.5
	Wi-Fi 1 thru 2	2400-2483.5 MHz	7
	Wi-Fi 1 thru 2	4900-5900 MHz	8.5
	Bluetooth	2400-2483.5 MHz	7
<b>Return Loss 50 Ω (dB)</b>	CELL 1 thru 6	617-698 MHz	7
	CELL 1 thru 6	698-894 MHz	9
	CELL 1 thru 6	1710-2200 MHz	12
	CELL 1 thru 6	2200-2700 MHz	7
	CELL 1 thru 6	3300-4000 MHz	6
	CELL 1 thru 6	5150-5925 MHz	6
	GPS	1575.42 MHz	12
	Wi-Fi 1 thru 2	2400-2483.5 MHz	12
	Wi-Fi 1 thru 2	4900-5900 MHz	9
	Bluetooth	2400-2483.5 MHz	13
<b>Isolation (dB)</b>	CELL 1 thru 6	617-894 MHz	10
	CELL 1 thru 6	1710-2200 MHz	18
	CELL 1 thru 6	2200-2700 MHz	22
	CELL 1 thru 6	3300-4000 MHz	27
	CELL 1 thru 6	5150-5925 MHz	30
	Wi-Fi	2400-2483.5 MHz	19
	Wi-Fi	4900-5900 MHz	30
	Bluetooth	2400-2483.5 MHz	20

<b>Polarization (dBi)</b>	CELL, Wi-Fi Bluetooth		Linear Linear
<b>Max Input Power (Watts)</b>	CELL, Wi-Fi, Bluetooth		5
<b>RF Connectors</b>	CELL Wi-Fi, Bluetooth		SMA(M) RP-SMA(M)
<b>RF Cable Type</b>	CELL, Wi-Fi, Bluetooth		RG-316 LSR100
<ul style="list-style-type: none"> <li>• CELL 1 thru 4 are grouped together for one modem with CELL 5 &amp; 6 connected to the other modem.</li> <li>• Isolation, return loss, and peak gain does not include cable loss.</li> <li>• SMA connectors have a max torque of 3-5-inchlbs.</li> <li>• Electrical specifications based on antenna mounted in the lid of the plastic enclosure.</li> <li>• <b>*Router and SIM Card are not included.</b> Customers should contact Parsec's authorized distributors and VAR's listed on our website for a full list of routers and other options that will complete the Emergency Hot Spot.</li> <li>• Please see Ordering Guide regarding Battery Inclusion.</li> </ul>			

## GNSS Electrical Specifications

<i>ID &amp; Unit</i>	<i>Port</i>	<i>Parameters</i>	<i>Typ.</i>
<b>Antenna + Preamp Gain (dBic)</b>	GPS	1570-1581 MHz	33
<b>Polarization</b>	GPS		RHCP
<b>Filter Rejection (dB)</b>	GPS	1625 MHz	12
<b>GNSS Preamp Voltage (mA)</b>	GPS		2.2 to 5
<b>GNSS Preamp Current (mA)</b>	GPS		5 to 15
<b>RF Connector</b>	GPS		SMA(M)
<b>RF Cable Type</b>	GPS		LSR100