



Bloodhound Pro Series

Advanced 5G Portable Case Antenna

Built For Your Mission



Instant Coverage Wherever You Go



Portable 5G Case Antenna Reliable Connectivity On the Move

The Bloodhound ECK antenna is a **portable**, high-performance **5G** solution built for **rapid deployment** in environments where communication infrastructure is limited or compromised. With full **600 MHz–6 GHz** coverage and long operational life, it provides reliable, **on-the-go connectivity** for teams who need instant communication access.

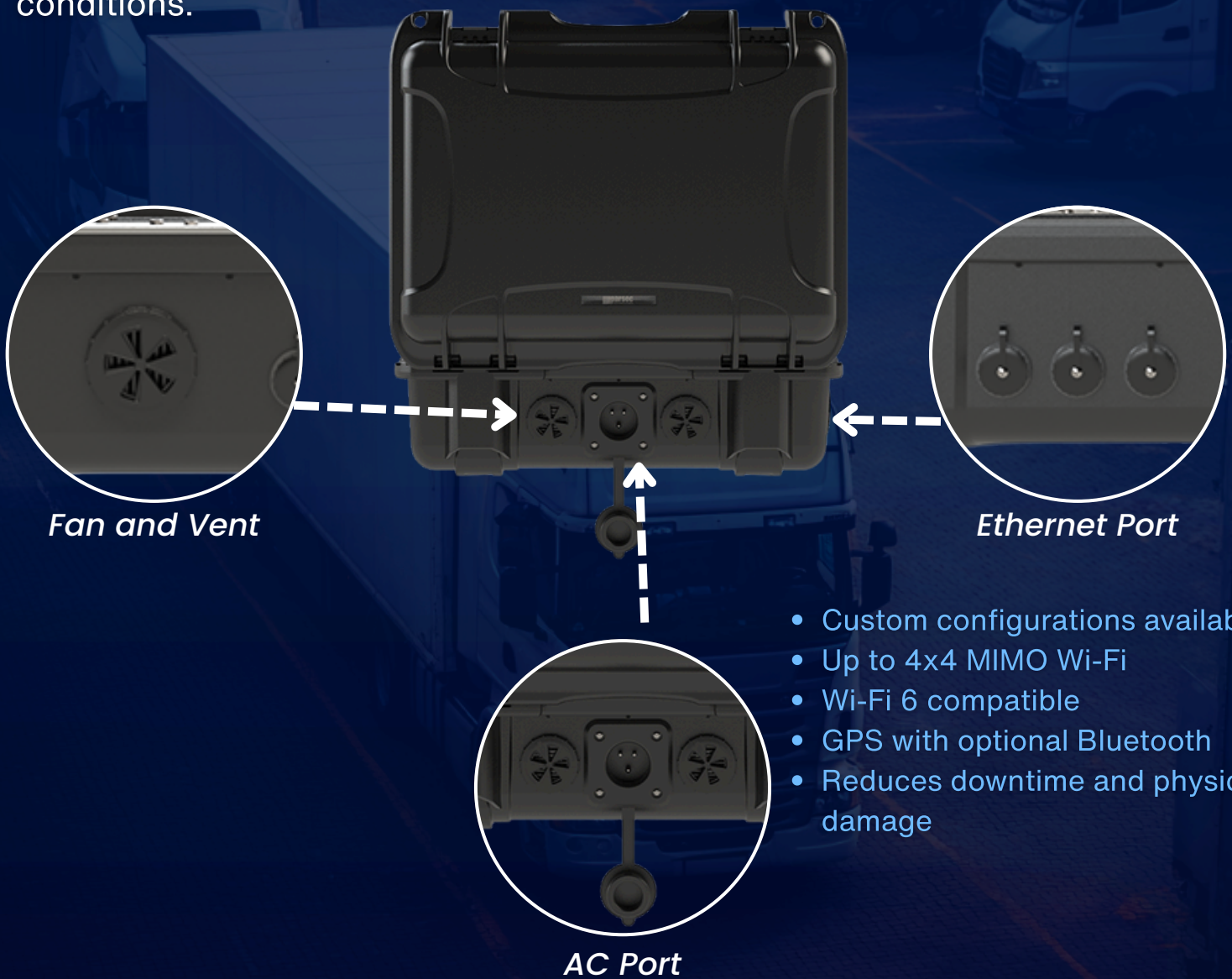
The Backbone of Reliable 5G Connectivity Rugged Power For Mobile and Field Use

The FortiExtender Vehicle 511G, incorporated into the Bloodhound ECK, is a rugged 5G router that serves as the backbone of its connectivity. It delivers fast, reliable, and flexible network access, enabling mobile command, backup communication, and real-time operations in challenging field environments.

Instant Coverage Wherever You Go

Rugged, Impact-Resistant Construction For Any Situation Reliable Connectivity On the Move

Built with **shock-absorbing** materials and **impact-resistant** resin, the Bloodhound case **protects** internal components during intense field use. This rugged design helps **prevent damage** and ensures **dependable** performance despite rough handling, drops, or unpredictable environmental conditions.



- Custom configurations available
- Up to 4x4 MIMO Wi-Fi
- Wi-Fi 6 compatible
- GPS with optional Bluetooth
- Reduces downtime and physical damage

Built for Your Mission

Applications



Transportation & Fleet



Police & Fire



Pop Up Medical Centers



Temporary Broadband Services



Remote Sites



Network Failover

Why Choose the Bloodhound

- Reliable 5G & Wi-Fi 6
- Extended battery life
- Rugged, shock-resistant
- Rapid deployment for field and emergency operations
- Dual-SIM global support



Specification Overview

PRO Bloodhound ECK Series		
Applications:	Emergency Communication, Backup Mobile Command Center, Dual Network	
Configurations:	13:1 – 8 CELL, 4 Wi-Fi, GPS 12:1 – 8 CELL, 2 Wi-Fi, Bluetooth, GPS	
Categories:	Enterprise, Mobile, Public safety, 5G	
Antennas Included:	Cellular, Wi-Fi, Bluetooth and GPS	
Type:	Case/Enclosure	
Antenna Pattern:	Omni-Directional	
Available Colors:	Black	
Cable Type:	Cellular	RG-316
	Wi-Fi	RG-316
	GPS	LSR100
Standard Cable Length:	20 IN Pigtails	
Standard Connector Options:	Cellular	SMA(M)
	Wi-Fi	RP-SMA(M)
	GPS	SMA(M)

Specifications

Frequencies			
4G/5G Cellular	617-894 MHz 1710-2700 MHz 3300-4000 MHz 5150-5925 MHz	Wi-Fi	2400-2483.5 MHz 4900-5900 MHz
		GPS	1575.42 MHz
4G/5G Bands			
North America		B2, B4, B5, B12, B13, B14, B17, B25, B26, B29, B30, B41, B46, B48, B66, B71, n2, n5, n12, n25, n26, n41, n48, n66, n71, n77	
EMEA		B1, B3, B7, B20, B28, B42, B43, B46, n1, n3, n28, n77, n78	
Mechanical		Enviromental	
Dimension	18.59 inch length 7.02 inch height 14.54 inch width	Operating Temperature	-40 °C to 85°C
Power	110-120 Volt AC (60 Hz)	Ingress Protection	IP67 for -A Version *when closed
Battery (not included)	Omnicharge Ultimate+ Custom Battery, OP2FPA01 (-G2 & -G2B Versions) Omnicharge 20C+ Custom Battery, OP3CPA01 (-G3 Version)		IP54 for -G2, -G2B, G3, & L Version *when all ports and lid are closed
Connectors	CELL: SMA(M) Wi-Fi: RP-SMA(M) GPS: SMA(M)	Radome Material	Plastic
Max Router Configuration	8 Cellular, 4 Wi-Fi, GPS	RF Cable Length	20 inch Pigtaills
Max Router Dimensions	7.5" x 8.5" x 2.5"		

- Custom colors available, reach out to Parsec for more information.
- For different router configurations, reach out to Parsec for more information.
- Temperature range is for antenna only. Equipment installed inside the enclosure may have a different temperature range.

*Openings in the enclosure for options like fans and power cords may reduce ingress protection even with covers installed.

Technical Drawing

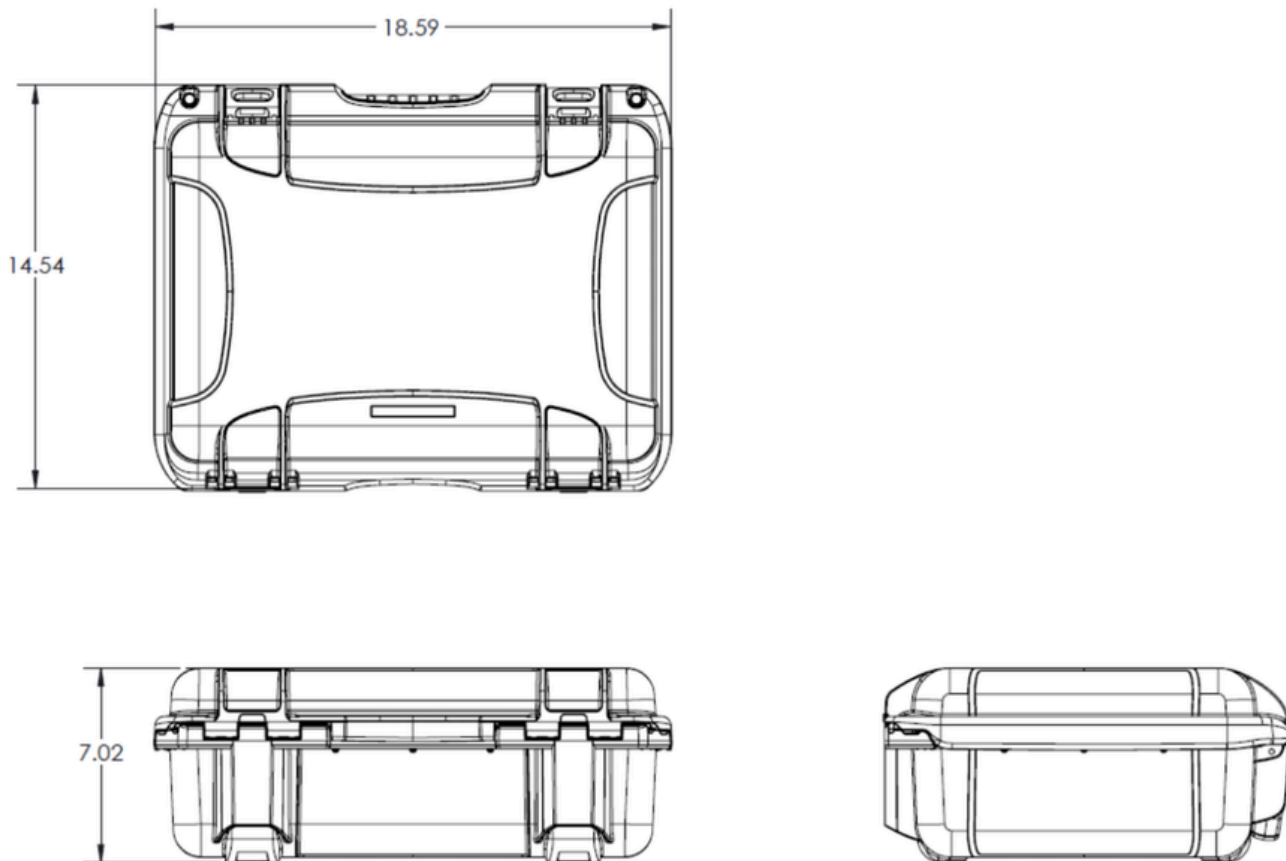


Figure 1: Bloodhound Blueprint

Electrical Specifications

<i>ID</i>	<i>Port</i>	<i>Parameters</i>	<i>Typ.</i>
Radiated Efficiency (%)	CELL 1 thru 8	617 – 698 MHz	70
	CELL 1 thru 8	698 – 894 MHz	80
	CELL 1 thru 8	1710 – 2200 MHz	85
	CELL 1 thru 8	2200 – 2700 MHz	70
	CELL 1 thru 8	3300 – 4000 MHz	50
	CELL 1 thru 8	5150 – 5925 MHz	50
	GPS	1575.42 MHz	80
	Wi-Fi 1 thru 4	2400 – 2483.5 MHz	85
	Wi-Fi 1 thru 4	4900 – 5900 MHz	70
Peak Gain (dBi)	CELL 1 thru 8	617 – 698 MHz	2
	CELL 1 thru 8	698 – 894 MHz	4
	CELL 1 thru 8	1710 – 2200 MHz	7
	CELL 1 thru 8	2200 – 2700 MHz	7.5
	CELL 1 thru 8	3300 – 4000 MHz	7.5
	CELL 1 thru 8	5150 – 5925 MHz	8.5
	GPS	1575.42 MHz	6
	Wi-Fi 1 thru 4	2400 – 2483.5 MHz	7
	Wi-Fi 1 thru 4	4900 – 5900 MHz	8.5
Return Loss 50 Ω (dB)	CELL 1 thru 8	617 – 698 MHz	8
	CELL 1 thru 8	698 – 894 MHz	9
	CELL 1 thru 8	1710 – 2200 MHz	12
	CELL 1 thru 8	2200 – 2700 MHz	7
	CELL 1 thru 8	3300 – 4000 MHz	5
	CELL 1 thru 8	5150 – 5925 MHz	7
	GPS	1575.42 MHz	12
	Wi-Fi 1 thru 4	2400 – 2483.5 MHz	13
	Wi-Fi 1 thru 4	4900 – 5900 MHz	9
Isolation (dB)	CELL 1 thru 4	617 – 894 MHz	22
	CELL 1 thru 4	1710 – 2700 MHz	20
	CELL 1 thru 4	2200 – 2700 MHz	20
	CELL 1 thru 4	3300 – 4000 MHz	24
	CELL 1 thru 4	5150 – 5925 MHz	30
	CELL 1 thru 4	617 – 894 MHz	12
	CELL 5 thru 8 CELL 5 thru 8	1710 – 2700 MHz	16
	CELL 5 thru 8	2200 – 2700 MHz	17
	CELL 5 thru 8	3300 – 4000 MHz	18
	CELL 5 thru 8	5150 – 5925 MHz	30
	Adjacent CELL	617 – 894 MHz	8
	Wi-Fi	2400 – 2483.5 MHz	20
	Wi-Fi	4900 – 5900 MHz	25

Polarization (dBi)	CELL, Wi-Fi		Linear
Max Input Power (Watts)	CELL, Wi-Fi		5
RF Connectors	CELL, Wi-Fi		SMA(M) RP-SMA(M)
RF Cable Type	CELL, Wi-Fi		RG-316
<ul style="list-style-type: none"> Isolation, return loss, and peak gain do not include cable loss from 13 inch cables supplied. SMA connectors have a max torque of 3-5 inch lbs. Electrical specifications based on antenna mounted in the lid of the plastic enclosure. *Battery, router, and SIM Card are not included. Customers should contact Parsec's authorized distributors and VAR's listed on our website for a full list of routers and other options that will complete the Emergency Hot Spot. 			

GNSS Electrical Specifications

<i>ID & Unit</i>	<i>Port</i>	<i>Parameters</i>	<i>Typ.</i>
Antenna + Preamp Gain (dBic)	GPS	1570-1581 MHz	28
Polarization	GPS		RHCP
FiCELLr Rejection (dB)	GPS	1625 MHz	12
GNSS Preamp Voltage (mA)	GPS		2.2 to 5
GNSS Preamp Current (mA)	GPS		5 to 15
RF Connector	GPS		
RF Cable Type	GPS		LSR100

Battery:

-G2 Version: Omnicharge Ultimate + Custom Battery (OP2FPA01)

-G3 Version: Omnicharge 20C + CustomBattery (OP2CPA01)

(Batteries are not included with the Antenna and must be purchased separately.)

Omnicharge Ultimate + Custom Battery and charger are included with the -G2B Version.

For more information, see our installation instructions at Parsec-t.com for Bloodhound Case Series.

Part Number Key & Ordering Guide

Part Number Key <i>(Part number example for a 12:1 Bloodhound antenna: PRO12BH8L2WBG)</i>		
Description	Abbreviation	Part Number
All PRO Series	PRO	PRO
Number of Elements in Housing/Configuration	12:1	PRO12
Antenna Abbreviation for Bloodhound	BH	PRO12BH
Number of Cellular Elements	#L	PRO12BH8L
Number of Wi-Fi Elements	#W	PRO12BH8L2W
Bluetooth	B	PRO12BH8L2WB
Number of GPS Elements	G	PRO12BH8L2WBG
Optional G2 Version -Includes the options listed	-G2	PRO12BH8L2WBG-G2
Optional G3 Version -Includes the options listed	-G3	PRO12BH8L2WBG-G3
Optional L Version -Includes the options listed	-L	PRO12BH8L2WBG-L
For more customizations, please contact us for more information at sales@parsec-t.com . MOQ Applicable.		

Maximum Configuration

<i>Configurations</i>	<i>Part Number</i>	<i>Description</i>
13:1	PRO13BH8L4WG	8 Cellular, 4 Wi-Fi, GPS, Black Case with Antenna Built into Lid
	PRO13BH8L4WG-L	8 Cellular, 4 Wi-Fi, GPS, Black Case with Antenna Built into Lid with Accessory Tray (see antenna options for description)
	PRO13BH8L4WG-G2	8 Cellular, 4 Wi-Fi, GPS, Black Case with Antenna Built into Lid with Omnicharge Ultimate+Battery Tray (see antenna options for description)
	PRO13BH8L4WG-G2B	8 Cellular, 4 Wi-Fi, GPS, Black Case with Antenna Built into Lid with Omnicharge Ultimate+Battery Tray (see antenna options for description)
	PRO13BH8L4WG-G3	8 Cellular, 4 Wi-Fi, GPS, Black Case with Antenna Built into Lid with Omnicharge 20C+ Battery Tray (see antenna options for description)

<i>Description</i>	<i>PRO12BH8L2WBG</i>	<i>-G2/-G2B Version</i>	<i>-G3 Version</i>	<i>-L Version</i>
Antenna	Yes	Yes	Yes	Yes
Fan and Vent	No	Yes	Yes	Yes
AC Adapter	No	Yes	Yes	Yes
USB-C Connector	No	Yes	Yes	Yes
USB-A Connector	No	Yes	Yes	Yes
RJ-45 Connector	No	Yes – Qty.4	Yes – Qty.4	Yes – Qty.4
Router Mount Plate	No	Yes	Yes	Yes
Top Cover Plate	No	Yes	Yes	Yes
Omnicharge Ultimate Battery Tray	No	Yes	No	No
Omnicharge 20C+ Battery Tray	No	No	Yes	No
Accessory Tray	No	No	No	Yes

Hardware Accessories

Accessories	Part Number
RJ-45 Adapter	PTA0920
USB-A Panel Mount	PTA0921
USB-C Connector	PTA0633
AC Adapter with 16" Cord Kit	PTA0771
BloodhoundG2Battery: OmniCharge Ultimate + Custom Battery	PTA1182
Bloodhound G3 Battery: OmniCharge 20C + Custom Battery	PTA1180
OmniCharge 65W Charger	PTA0746
SMA Wrench, Key Chain	PTA0194
Service: Router Installation	PTA-Install-150
Interchangeable Accessories	
Bloodhound L Accessory Tray	PTA0842
Bloodhound G2: Battery Tray for OmniCharge Ultimate+	PTA0832
Bloodhound G3: Battery Tray for OmniCharge 20C+	PTA0971
Replacement Parts	
TopCover Plate Mounting ScrewKit	-40 °C to 85°C