

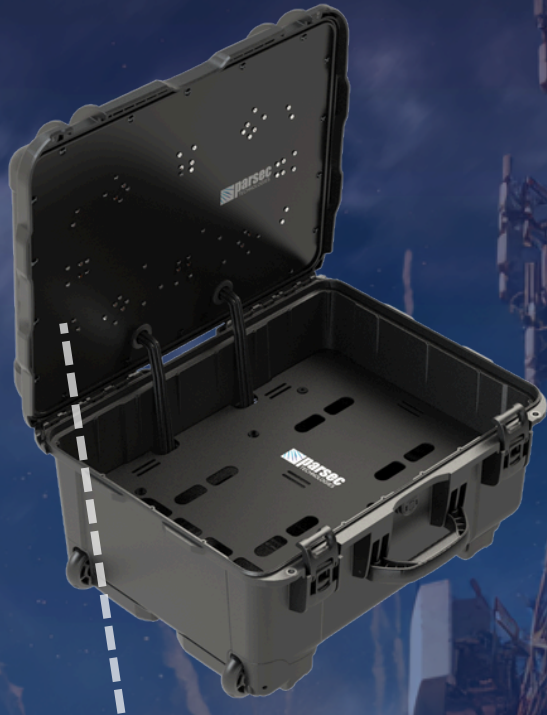


Newfoundland Pro Series

The Largest 5G Emergency Mobile Hot Spot Case
for Reliable, On-the-Go Connectivity



Engineered for Extended Coverage and Network Resilience.



Antenna built seamlessly into
Case Lid

The Newfoundland Emergency Hot Spot Case delivers powerful multi-network connectivity designed for mission-critical and emergency response operations. With support for up to **4x4 MIMO cellular** for dual modem operations, up to **4x4 MIMO Wi-Fi** with optional Bluetooth or GPS, and **dual SIM** simultaneous operation, it provides resilient, high-capacity communications when reliability matters most. Its **Wi-Fi 6** compatibility further enhances network performance by supporting greater speeds, capacity, and device density in demanding deployments.

The Emergency Response and High-Throughput Networking Solution.

High-Capacity Connectivity.

- 4x4 MIMO Cellular For Dual Modem Operations
- 4X4 MIMO Wi-Fi
- Omni-Directional
- Failover-Ready With Dual SIM Capability
- Wi-Fi 6 Compatibility
- Optional Bluetooth & GPS

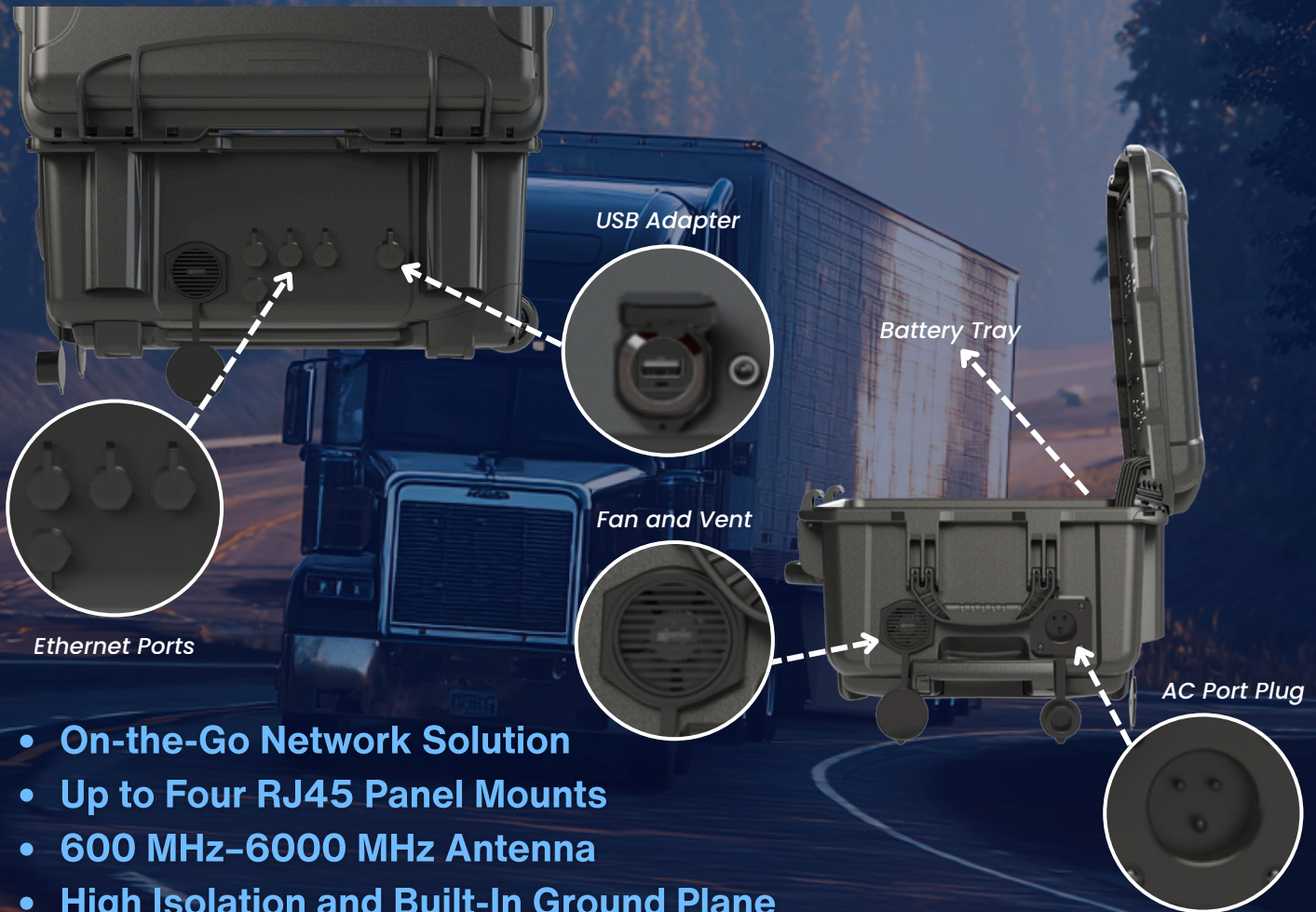


Engineered for Extended Coverage and Network Resilience.

Built for Maximum Coverage

Maximum Coverage Across a Wide 5G Spectrum.

At the core of the Newfoundland system is its **largest** 13:1 5G **omni-directional** antenna, engineered to provide exceptional signal coverage and efficiency across the entire **600 MHz–6000 MHz** spectrum. The antenna is seamlessly integrated into the case lid for maximum protection while maintaining a streamlined profile. Combined with **high isolation**, a **built-in ground plane**, and a rugged high-gain design, the system delivers reliable performance in challenging **RF environments**.



- On-the-Go Network Solution
- Up to Four RJ45 Panel Mounts
- 600 MHz–6000 MHz Antenna
- High Isolation and Built-In Ground Plane

Engineered for Extended Coverage and Network Resilience.

Rugged Emergency-Ready Design

Engineered For Critical Environments and Field Durability.

Built for demanding field operations, the Newfoundland features an **IP67-rated, shock-resistant** enclosure constructed from industry-strength **3.5 mm thick plastic housing** to protect critical networking equipment in harsh environments. Despite its robust construction, it remains a **portable, on-the-go** network solution with ample internal storage space for high-profile deployments. A **10-12 hour battery life** ensures continuous operation throughout extended missions and emergency response scenarios.



- Long-Lasting 10-12 Hour Battery Life
- Large Internal Storage Space
- IP-67 Rated

Built For Critical Communications

Applications



Critical Responders



Transportation / Fleet



Backpack Mobile Command Center



Mobile Broadband



Remote Surveillance



Primary & Failover Network

Why Choose the Newfoundland

- Long-Lasting 10-12 Hour Battery Life
- Large Internal Storage Space
- Omni-Directional
- Failover-Ready With Dual SIM Capability



Specification Overview

PRO Newfoundland Series		
Applications:	Emergency Communication, Backup Mobile Command Center	
Configurations:	13:1 – 8 CELL, 4 Wi-Fi, GPS 9:1 – 4 CELL, 4 Wi-Fi, GPS 9:1 – 6 CELL, 2 Wi-Fi, GPS	
Categories:	Enterprise, Mobile, Public Safety, 5G	
Antennas Included:	Cellular, Wi-Fi, Bluetooth and GPS	
Type:	Case/Enclosure	
Antenna Pattern:	Omni-Directional	
Available Colors:	Black	
Cable Type:	Cellular	RG-58
	Wi-Fi	RG-58
	GPS	LSR100
Standard Cable Length:	13 IN Pigtails	
Standard Connector options:	Cellular	Right-Angle SMA(M)
	Wi-Fi	Right-Angle RP-SMA(M)
	GPS	SMA(M)

Specifications

Frequencies			
4G/5G Cellular	617-894 MHz 1710-2700 MHz 3400-3800 MHz 5150-5925 MHz	Wi-Fi	2400-2483.5 MHz 4900-5900 MHz
		GPS	1575.42 MHz
4G/5G Bands			
North America		B2, B4, B5, B7, B12, B13, B14, B17, B25, B26, B29, B30, B41, B46, B48, B66, B71 n2, n5, n12, n25, n26, n41, n48, n66, n71, n77	
EMEA		B1, B3, B7, B20, B28, B42, B43, B46 n1, n3, n28, n77, n78	
Mechanical		Environmental	
Dimensions	22.8 inch x 18.3 inch x 11.7 inch	Operating Temperature	-30 °C to 85°C OR -22 °F to 180°F
Power	110-120 Volt AC (60 Hz)	Ingress Protection	IP54 for L Version *when all ports and lid are closed
Battery (not included)	Omnicharge Ultimate Battery or Chargetech 54K Battery	Radome Material	Plastic
Connectors	CELL: Right-Angle SMA(M) Wi-Fi: Right-Angle RP-SMA(M) GPS: SMA(M)	RF Cable Length	21 inch pigtailed
Router Options	Ericsson R1900 Ericsson AER2200 Ericsson E3000 Ericsson IBR1700 Peplink MAX BR1 Pro 5G	Max Router Configuration	8 Cellular, 4 Wi-Fi, GPS
		Max Router Dimensions	11" x 11" x 3"
<ul style="list-style-type: none"> For customizations, such as Connector Type, Cable Length, Color, Configuration, and Branding, please reach out to Parsec at sales@parsec-t.com. For different router configurations, reach out to Parsec for more information. Temperature range is for antenna only. Equipment installed inside the enclosure may have a different temperature range. <p>*Openings in the enclosure for options like fans and power cords may reduce ingress protection even with covers installed.</p>			

Technical Drawing

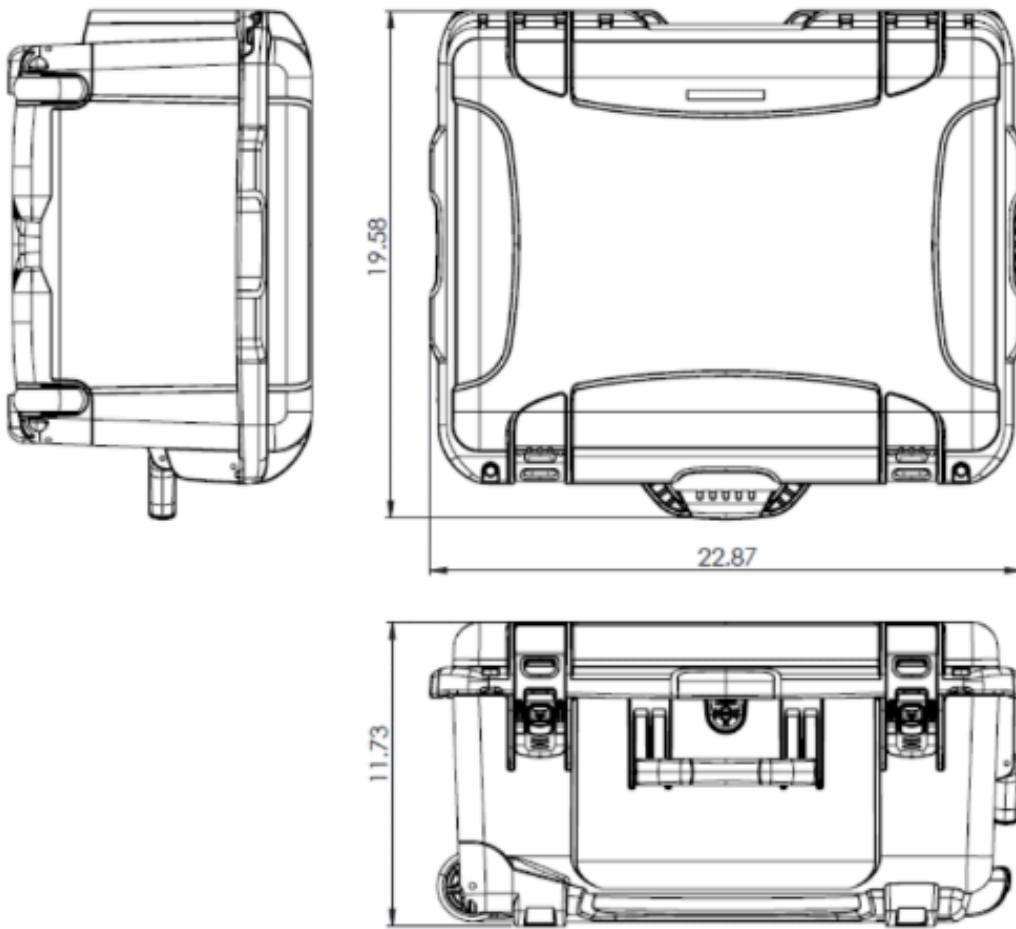
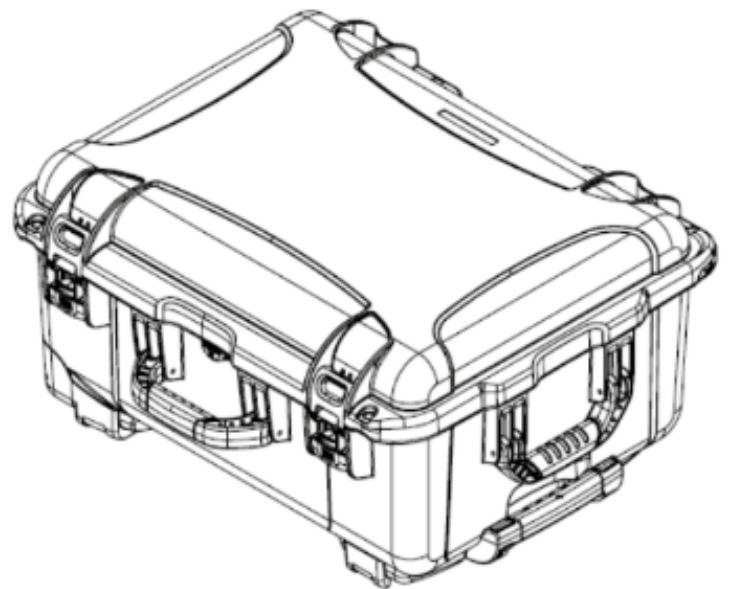


Figure 1: Newfoundland Case Blueprint



Part Number Key & Ordering Guide

(Part number example for a 13:1 Newfoundland antenna: PRO13N8L4WG)

<i>Description</i>	<i>Abbreviation</i>	<i>Part Number</i>
All PRO Series	PRO	PRO
Number of Antenna in Housing/Configuration	13:1	PRO13
Antenna Abbreviation for St. Bernard	N	PRO13N
Number of Cellular Elements	#L	PRO13N8L
Number of Wi-Fi Elements	#W	PRO13N8L4W
Number of GPS Elements	G	PRO13N8L4WG
Optional L Version - Includes the options listed	-L	PRO13N8L4WG-L

For customizations, such as Connector Type, Cable Length, Configuration, and Branding, please reach out to Parsec at sales@parsec-t.com.

Maximum Configurations

<i>Configurations</i>	<i>Part Number</i>	<i>Description</i>
13:1	PRO13N8L4WG	8 Cellular, 4 Wi-Fi, GPS, Black Case with Antenna Build into Lid
	PRO13N8L4WG-L	8 Cellular, 4 Wi-Fi, GPS, Black Case with Antenna Build into Lid with AC Adapter (see antenna options for description)

<i>Description</i>	<i>PRO13N8L4WG</i>	<i>-L Version</i>
Antenna	Yes	Yes
Fan and Vent	No	Vent/Fan
AC Adapter	No	Yes
USB-C Connector	No	Yes
USB-A Connector	No	Yes
4x RJ-45 Connectors	No	Yes
Router Mount Plate	No	Yes
Top Cover Plate	No	Yes

Hardware Accessories

Accessories	Part Number
RJ-45 Adapter	PTA0415
USB-A Panel Mount	PTA0448
USB-C Connector	PTA0633
HDMI Port	PTA0683
Replacement Parts	
SMA Wrench, Key Chain	PTA0194
Service: Router Installation	PTA-Install-185

Electrical Specifications

<i>ID</i>	<i>Port</i>	<i>Parameters</i>	<i>Typ.</i>
Radiated Efficiency (%)	CELL 1 thru8	617-698 MHz	75
	CELL 1 thru8	698-894 MHz	85
	CELL 1 thru8	1695-2700 MHz	85
	CELL 1 thru8	3400-3800 MHz	75
	CELL 1 thru8	5150-5925 MHz	60
	GPS	1575.42 MHz	80
	Wi-Fi 1 thru 4	2400-2483.5 MHz	80
	Wi-Fi 1 thru 4	4900-5900 MHz	70
Peak Gain (dBi)	CELL 1 thru 8	617-894 MHz	5
	CELL 1 thru 8	698-894 MHz	6
	CELL 1 thru 8	1695-2700 MHz	6
	CELL 1 thru 8	3400-3800 MHz	8
	CELL 1 thru 8	5150-5925 MHz	6
	GPS	1575.42 MHz	6
	Wi-Fi 1 thru 4	2400-2483.5 MHz	5
	Wi-Fi 1 thru 4	4900-5900 MHz	7
Return Loss 50 Ω (dB)	CELL 1 thru 8	617-894 MHz	7.5
	CELL 1 thru 8	698-894 MHz	11
	CELL 1 thru 8	1695-2700 MHz	11
	CELL 1 thru 8	3400-3800 MHz	9.5
	CELL 1 thru 8	5150-5925 MHz	6.5
	GPS	1575.42 MHz	12
	Wi-Fi 1 thru 4	2400-2483.5 MHz	15
	Wi-Fi 1 thru 4	4900-5900 MHz	9
Isolation (dB)	CELL	617-894 MHz	13
	CELL	1710-2700 MHz	18
	CELL	3400-3800 MHz	22
	CELL	5150-5925 MHz	27
	Wi-Fi	2400-2483.5 MHz	30
	Wi-Fi	4900-5900 MHz	35

Polarization (dBi)	CELL, Wi-Fi		Linear
Max Input Power (Watts)	CELL, Wi-Fi		60
RF Connectors	CELL Wi-Fi		RA SMA(M) RA RP-SMA(M)
RF Cable Type	CELL, Wi-Fi GPS		RG-58 LSR100
<ul style="list-style-type: none"> • Isolation, return loss, and peak gain includes cable loss from 18 IN Cables supplied. • SMA connectors have a max torque of 3-5-inch lbs. • Electrical specifications based on antenna mounted in the lid of the plastic enclosure. • *Battery, router, and SIM Card are not included. Customers should contact Parsec's authorized distributors and VAR's listed on our website for a full list of routers and other options that will complete the Emergency Hot Spot. 			

GNSS Electrical Specifications

<i>ID & Unit</i>	<i>Port</i>	<i>Parameters</i>	<i>Typ.</i>
Antenna + Preamp Gain (dBic)	GPS	1570-1581 MHz	33
Polarization	GPS		RHCP
Filter Rejection (dB)	GPS	1625 MHz	12
GNSS Preamp Voltage (mA)	GPS		2.2 to 5
GNSS Preamp Current (mA)	GPS		5 to 15
RF Connector	GPS		SMA (M)
RF Cable Type	GPS		LSR100