



# Bloodhound Pro Series

Advanced 5G Portable Case Antenna

Built For Your Mission



Instant Coverage Wherever You Go



## Portable 5G Case Antenna Reliable Connectivity On the Move

The Bloodhound ECK antenna is a **portable**, high-performance **5G** solution built for **rapid deployment** in environments where communication infrastructure is limited or compromised. With full **600 MHz–6 GHz** coverage and long operational life, it provides reliable, **on-the-go connectivity** for teams who need instant communication access.

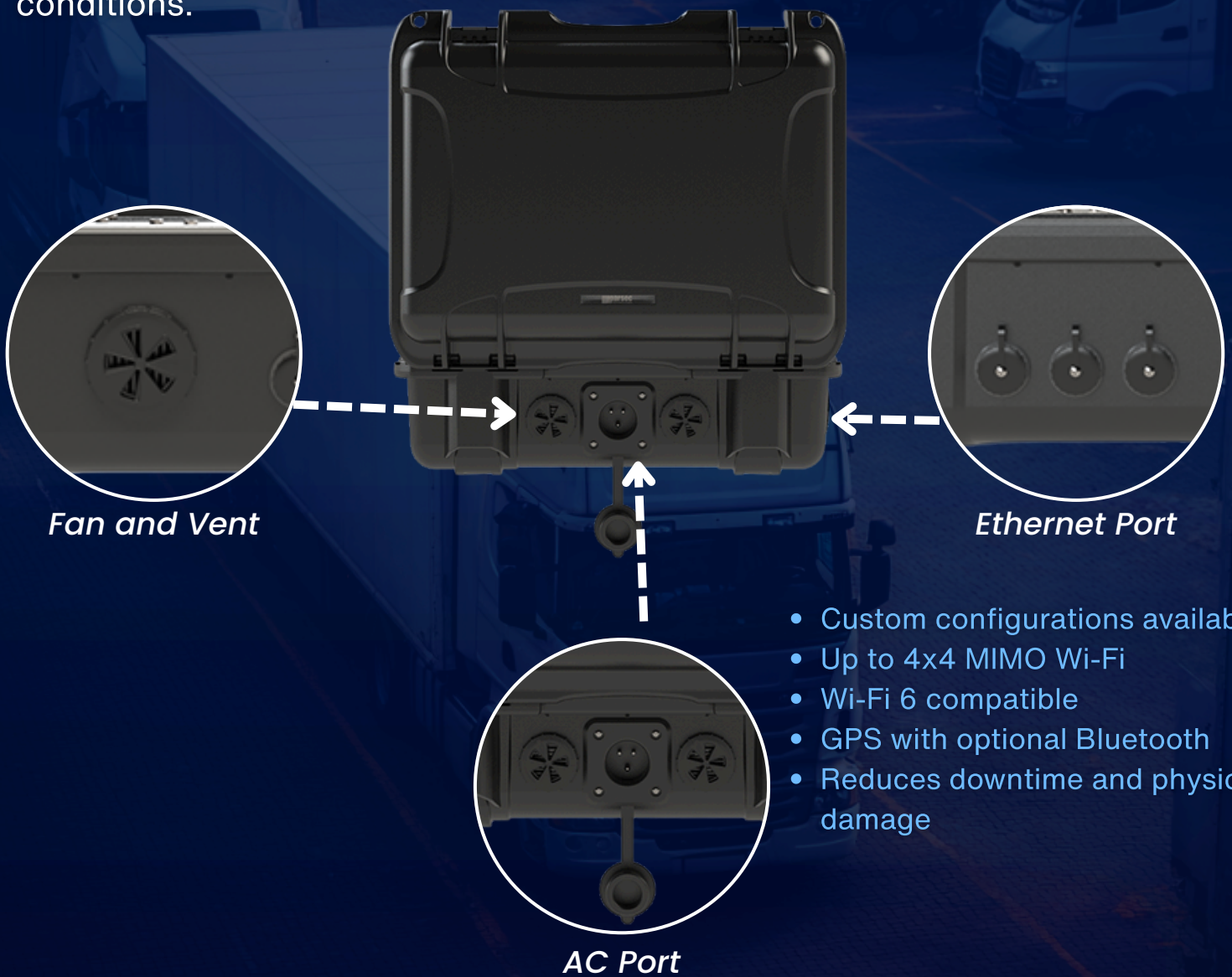
## The Backbone of Reliable 5G Connectivity Rugged Power For Mobile and Field Use

The FortiExtender Vehicle 511G, incorporated into the Bloodhound ECK, is a rugged 5G router that serves as the backbone of its connectivity. It delivers fast, reliable, and flexible network access, enabling mobile command, backup communication, and real-time operations in challenging field environments.

Instant Coverage Wherever You Go

## Rugged, Impact-Resistant Construction For Any Situation Reliable Connectivity On the Move

Built with **shock-absorbing** materials and **impact-resistant** resin, the Bloodhound case **protects** internal components during intense field use. This rugged design helps **prevent damage** and ensures **dependable** performance despite rough handling, drops, or unpredictable environmental conditions.



- Custom configurations available
- Up to 4x4 MIMO Wi-Fi
- Wi-Fi 6 compatible
- GPS with optional Bluetooth
- Reduces downtime and physical damage

# Built for Your Mission

## Applications



**Transportation & Fleet**



**Police & Fire**



**Pop Up Medical Centers**



**Temporary Broadband Services**



**Remote Sites**



**Network Failover**

## Why Choose the Bloodhound

- Reliable 5G & Wi-Fi 6
- Extended battery life
- Rugged, shock-resistant
- Rapid deployment for field and emergency operations
- Dual-SIM global support



## Specification Overview

PRO Bloodhound ECK Series		
<b>Applications:</b>	Emergency Communication, Backup Mobile Command Center, Dual Network	
<b>Configurations:</b>	13:1 – 8 CELL, 4 Wi-Fi, L1/L5 Dual Band GPS 12:1 – 8 CELL, 2 Wi-Fi, Bluetooth, L1 GPS	
<b>Categories:</b>	Enterprise, Mobile, Public safety, 5G	
<b>Antennas Included:</b>	Cellular, Wi-Fi, Bluetooth and GPS	
<b>Type:</b>	Case/Enclosure	
<b>Antenna Pattern:</b>	Omni-Directional	
<b>Available Colors:</b>	Black	
<b>Cable Type:</b>	Cellular	RG-316
	Wi-Fi	RG-316
	GPS	LSR100
<b>Standard Cable Length:</b>	20 IN Pigtails	
<b>Standard Connector Options:</b>	Cellular	SMA(M)
	Wi-Fi	RP-SMA(M)
	GPS	SMA(M)

## Specifications

<b>Frequencies</b>			
<b>4G/5G Cellular</b>	617-894 MHz 1710-2700 MHz 3300-4000 MHz 5150-5925 MHz	<b>Wi-Fi</b>	2400-2483.5 MHz 4900-5900 MHz
		<b>L1 GPS</b>	1575.42 MHz
		<b>L1/L5 Dual Band GPS</b>	1563 – 1587 MHz 1164 – 1189 MHz
<b>4G/5G Bands</b>			
<b>North America</b>		B2, B4, B5, B12, B13, B14, B17, B25, B26, B29, B30, B41, B46, B48, B66, B71, n2, n5, n12, n25, n26, n41, n48, n66, n71, n77	
<b>EMEA</b>		B1, B3, B7, B20, B28, B42, B43, B46, n1, n3, n28, n77, n78	
<b>Mechanical</b>		<b>Environmental</b>	
<b>Dimension</b>	18.59 inch length 7.02 inch height 14.54 inch width	<b>Operating Temperature</b>	-40 °C to 85°C
<b>Power</b>	110-120 Volt AC (60 Hz)	<b>Ingress Protection</b>	-A Version: IP67* -L Version: IP54* -G2 Version: IP54* -G2B Version: IP54* -G3 Version: IP54*
<b>Battery (not included)</b>	Omnicharge Ultimate+ OP2FPA01 Custom Battery (-G2 Version)  Omnicharge 20C+ OP3CPA01 Custom Battery (-G3 Version)		
<b>Battery (included)</b>	Omnicharge Ultimate+ OP2FPA01 Custom Battery (-G2B Version)  Omnicharge 20C+ OP3CPA01 Custom Battery (-G3B Version)		

<b>Connectors</b>	CELL: SMA(M) Wi-Fi: RP-SMA(M) GPS: SMA(M)	<b>Radome Material</b>	Plastic
		<b>RF Cable Length</b>	20 inch Pigtailed
<b>Compatible Routers</b>	Cradlepoint R1900, Sierra Wireless XR80, Peplink MAX BR1 Pro 5G, Peplink MAX BR2 Pro 5G	<b>Max Router Configuration</b>	8 Cellular, 4 Wi-Fi, GPS
		<b>Max Router Dimensions</b>	7.5" x 8.5" x 2.5"

- Custom colors available, reach out to Parsec for more information.
- For different router configurations, reach out to Parsec for more information.
- Temperature range is for antenna only. Equipment installed inside the enclosure may have a different temperature range.

\*When lid and all ports are closed. Openings in the enclosure for options like fans and power cords may reduce ingress protection even with covers installed.

## Technical Drawing

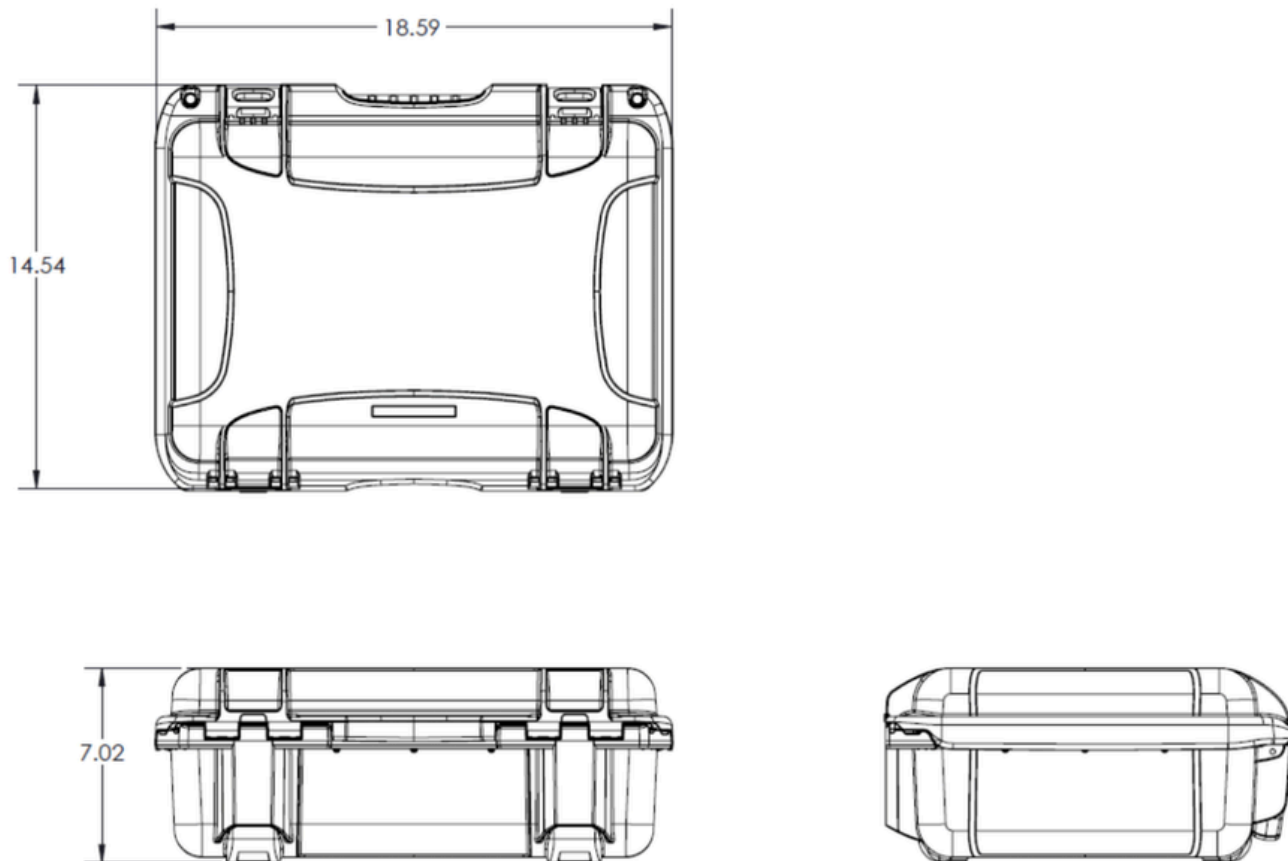


Figure 1: Bloodhound Blueprint

## Electrical Specifications

<i>ID</i>	<i>Port</i>	<i>Parameters</i>	<i>Typ.</i>
<b>Radiated Efficiency (%)</b>	CELL 1 thru 8	617 – 698 MHz	70
	CELL 1 thru 8	698 – 894 MHz	80
	CELL 1 thru 8	1710 – 2200 MHz	85
	CELL 1 thru 8	2200 – 2700 MHz	70
	CELL 1 thru 8	3300 – 4000 MHz	50
	CELL 1 thru 8	5150 – 5925 MHz	50
	GPS	1575.42 MHz	80
	Wi-Fi 1 thru 4	2400 – 2483.5 MHz	85
	Wi-Fi 1 thru 4	4900 – 5900 MHz	70
<b>Peak Gain (dBi)</b>	CELL 1 thru 8	617 – 698 MHz	2
	CELL 1 thru 8	698 – 894 MHz	4
	CELL 1 thru 8	1710 – 2200 MHz	7
	CELL 1 thru 8	2200 – 2700 MHz	7.5
	CELL 1 thru 8	3300 – 4000 MHz	7.5
	CELL 1 thru 8	5150 – 5925 MHz	8.5
	GPS	1575.42 MHz	6
	Wi-Fi 1 thru 4	2400 – 2483.5 MHz	7
	Wi-Fi 1 thru 4	4900 – 5900 MHz	8.5
<b>Return Loss 50 Ω (dB)</b>	CELL 1 thru 8	617 – 698 MHz	8
	CELL 1 thru 8	698 – 894 MHz	9
	CELL 1 thru 8	1710 – 2200 MHz	12
	CELL 1 thru 8	2200 – 2700 MHz	7
	CELL 1 thru 8	3300 – 4000 MHz	5
	CELL 1 thru 8	5150 – 5925 MHz	7
	GPS	1575.42 MHz	12
	Wi-Fi 1 thru 4	2400 – 2483.5 MHz	13
	Wi-Fi 1 thru 4	4900 – 5900 MHz	9
<b>Isolation (dB)</b>	CELL 1 thru 4	617 – 894 MHz	22
	CELL 1 thru 4	1710 – 2700 MHz	20
	CELL 1 thru 4	2200 – 2700 MHz	20
	CELL 1 thru 4	3300 – 4000 MHz	24
	CELL 1 thru 4	5150 – 5925 MHz	30
	CELL 1 thru 4	617 – 894 MHz	12
	CELL 5 thru 8 CELL 5 thru 8	1710 – 2700 MHz	16
	CELL 5 thru 8	2200 – 2700 MHz	17
	CELL 5 thru 8	3300 – 4000 MHz	18
	CELL 5 thru 8	5150 – 5925 MHz	30
	Adjacent CELL	617 – 894 MHz	8
	Wi-Fi	2400 – 2483.5 MHz	20
	Wi-Fi	4900 – 5900 MHz	25

<b>Polarization (dBi)</b>	CELL		Linear
	Wi-Fi		
<b>Max Input Power (Watts)</b>	CELL, Wi-Fi		5
<b>RF Connectors</b>	CELL, Wi-Fi		SMA(M) RP-SMA(M)
<b>RF Cable Type</b>	CELL, Wi-Fi		RG-316
<ul style="list-style-type: none"> <li>Isolation, return loss, and peak gain do not include cable loss from 13 inch cables supplied.</li> <li>SMA connectors have a max torque of 3-5 inch lbs.</li> <li>Electrical specifications based on antenna mounted in the lid of the plastic enclosure.</li> <li><b>*Battery, router, and SIM Card are not included.</b> Customers should contact Parsec's authorized distributors and VAR's listed on our website for a full list of routers and other options that will complete the Emergency Hot Spot.</li> <li>Please see Ordering Guide regarding Battery Inclusion.</li> </ul>			

## GNSS Electrical Specifications

<i>ID &amp; Unit</i>	<i>Port</i>	<i>Parameters</i>	<i>Typ.</i>
<b>Antenna + Preamp Gain (dBic)</b>	GPS	L1: 1563 – 1587 MHz L5: 1164 – 1189 MHz	28 26
<b>Polarization</b>	GPS		RHCP
<b>FiCELLr Rejection (dB)</b>	GPS	1625 MHz	TBD
<b>GNSS Preamp Voltage (mA)</b>	GPS		3 to 5
<b>GNSS Preamp Current (mA)</b>	GPS		<45mA
<b>RF Connector</b>	GPS		SMA(M)
<b>RF Cable Type</b>	GPS		LSR100

## Part Number Key & Ordering Guide

<b>Part Number Key</b> <i>(Part number example for a 13:1 Bloodhound antenna: PRO13BH8L4WD)</i>		
Description	Abbreviation	Part Number
All PRO Series	PRO	PRO
Number of Elements in Housing/Configuration	13:1	PRO13
Antenna Abbreviation for Bloodhound	BH	PRO13BH
Number of Cellular Elements	#L	PRO13BH8L
Number of Wi-Fi Elements	#W	PRO13BH8L4W
Optional Bluetooth	B	PRO13BH8L4WB
GPS Element: G = L1 GPS, D = L1/L5 Dual Band GPS	G or D	PRO13BH8L4WD
Optional G2 Version - Includes the options listed	-G2	PRO13BH8L4WD-G2
Optional G3 Version - Includes the options listed	-G3	PRO13BH8L4WD-G3
Optional L Version - Includes the options listed	-L	PRO13BH8L4WD-L
For more customizations, please contact us for more information at <a href="mailto:sales@parsec-t.com">sales@parsec-t.com</a> . MOQ Applicable.		

## Maximum Configuration

<i>Configurations</i>	<i>Part Number</i>	<i>Description</i>
13:1	PRO13BH8L4WD	8 Cellular, 4 Wi-Fi, L1/L5 Dual Band GPS, Black Case with Antenna Built into Lid
	PRO13BH8L4WD-L	8 Cellular, 4 Wi-Fi, L1/L5 Dual Band GPS, Black Case with Antenna Built into Lid with Accessory Tray (see antenna options for description)
	PRO13BH8L4WD-G2	8 Cellular, 4 Wi-Fi, L1/L5 Dual Band GPS, Black Case with Antenna Built into Lid with Omnicharge Ultimate+ Battery Tray (see antenna options for description)
	PRO13BH8L4WD-G2B	8 Cellular, 4 Wi-Fi, L1/L5 Dual Band GPS, Black Case with Antenna Built into Lid with Omnicharge Ultimate+ Battery Tray (see antenna options for description)
	PRO13BH8L4WD-G3	8 Cellular, 4 Wi-Fi, L1/L5 Dual Band GPS, Black Case with Antenna Build into Lid with Omnicharge 20C+ Battery Tray (see antenna options for description)

<i>Description</i>	<i>PRO13BH8L4WD</i>	<i>-G2 Version</i>	<i>-G2B Version</i>	<i>-G3 Version</i>	<i>-G3B Version</i>	<i>-L Version</i>
Antenna	Yes	Yes	Yes	Yes	Yes	Yes
Fan and Vent	No	Yes	Yes	Yes	Yes	Yes
AC Adapter	No	Yes	Yes	Yes	Yes	Yes
USB-C Connector	No	Yes	Yes	Yes	Yes	Yes
USB-A Connector	No	Yes	Yes	Yes	Yes	Yes
4x RJ-45 Connector	No	Yes	Yes	Yes	Yes	Yes
Router Mount Plate	No	Yes	Yes	Yes	Yes	Yes
Top Cover Plate	No	Yes	Yes	Yes	Yes	Yes
Omnicharge Ultimate Battery Tray	No	Yes	Yes	No	No	No
Omnicharge Ultimate+ Custom Battery	No	No	Yes	No	No	No
Omnicharge 20C+ Battery Tray	No	No	No	Yes	Yes	No
Omnicharge 20C+ Custom Battery	No	No	No	No	Yes	No
Accessory Tray	No	No	No	No	No	Yes
<p>Battery: -G2 Version: Omnicharge Ultimate+ OP2FPA01 Custom Battery                      -G3 Version: Omnicharge 20C+ OP3CPA01 Custom Battery                      (Batteries are not included with the Antenna and must be purchased separately.)                      Omnicharge Ultimate+ OP2FPA01 Custom Battery and charger are included with the -G2B Version.                      Omnicharge 20C+ OP3CPA01 Custom Battery and charger are included with the -G3B Version.                      For more information, see our installation instructions at <a href="http://Parsec-t.com">Parsec-t.com</a> for Bloodhound Case Series.</p>						

## Hardware Accessories

<i>Accessories</i>	<i>Part Number</i>
RJ-45 Adapter	PTA0920
USB-A Panel Mount	PTA0921
USB-C Connector	PTA0633
AC Adapter with 16" Cord Kit	PTA0771
Bloodhound G2 Battery: OmniCharge Ultimate + Custom Battery	PTA1182
Bloodhound G3 Battery: OmniCharge 20C + Custom Battery	PTA1180
OmniCharge 65W Charger	PTA0746
SMA Wrench, Key Chain	PTA0194
Service: Router Installation	PTA-Install-150
<i>Interchangeable Accessories</i>	
Bloodhound L Accessory Tray	PTA0842
Bloodhound G2: Battery Tray for OmniCharge Ultimate+	PTA0832
Bloodhound G3: Battery Tray for OmniCharge 20C+	PTA0971
<i>Replacement Parts</i>	
Top Cover Plate Mounting Screw Kit	PTA0858
Router Mounting Screw Kit	PTA1103
Router Plate Mounting Screw Kit	PTA1104
Battery Tray Mounting Screw Kit	PTA1028
40mm Fan Replacement Kit (Includes screws and nuts)	PTA0764
40mm Vent and Cap Kit	PTA0477