

Cujo Pro Series

Industry's First Breakproof Ultra-Ruggedized Package

Parsec's Newest Evolution for Public Sector

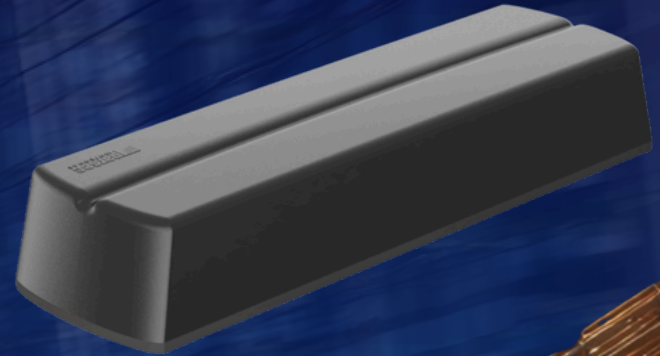


Cujo Pro Series



Breakproof Ultra-Ruggedized Package

Parsec's Cujo Series is **the newest evolution in Public Sector wireless connectivity**. Cujo's revolutionary Patented Antenna Technology, is a space saving design without sacrificing performance.



Dual-Modem Capabilities

One Antenna. Maximum Power.

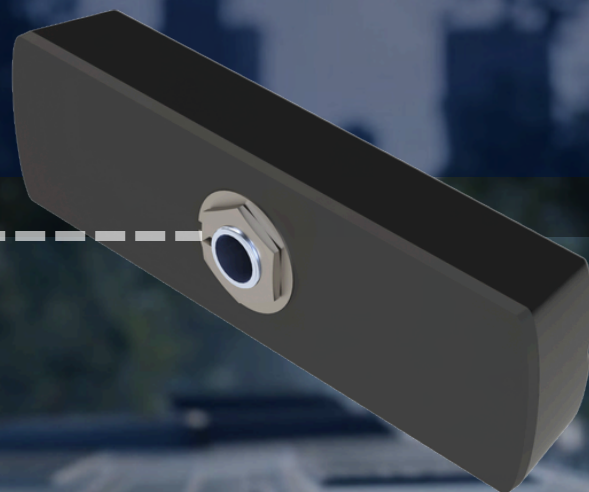
The Cujo Pro Series is a low profile **thirteen-in-one, eight element MIMO Cellular, four element MIMO Wi-Fi, and GNSS** external waterproof antenna. The Cujo **supports simultaneous 4X4 MIMO operation of two separate CELL modems** with one antenna. By enabling both modems to operate at full 4x4 MIMO capacity, the Cujo Pro delivers faster data speeds, increased bandwidth, and seamless failover performance without requiring two separate antennas.

Breakproof Ultra-Ruggedized Package

Industry's First Breakproof Ultra Ruggedized Package Built for Extreme Durability

Designed for the harshest environments, **it's ultra-ruggedized to withstand debris, falling branches, and other rooftop impacts without compromising performance.** Whether mounted on emergency vehicles, transit buses, or industrial fleets, this antenna endures the elements and keeps critical communication connected when reliability matters most.

This **rugged low-profile omni-directional antenna** works on all the common North American Cellular bands. The antenna requires a single **1.5-inch mounting hole.** Optional magnetic mount allows mounting on a steel surface without mounting holes.



**Tree-Proof &
Break-Proof**

Built to Withstand it All

Applications



Ambulances



Police & Fire



Urban Cities



City Buses



Remote Video
Monitoring



Long Distance Connection

Why Choose the Cujo

- Dual 4X4 MIMO 5G Cellular
- 4X4 MIMO Wi-Fi
- 5G Omni-Directional Antenna
- Ultra-Ruggedized Break Proof
- Low Profile





Specification Overview

PRO Cujo Series		
Applications	Public Safety, Vehicle Fleets, Command Centers	
Configurations	15:1 – 8 CELL, 6 Wi-Fi, L1/L5 Dual Band GPS 13:1 – 8 CELL, 4 Wi-Fi, L1/L5 Dual Band GPS	
Categories:	Public Safety, RVs, Enterprise	
Antennas Included:	Cellular, Wi-Fi, and GPS	
Mount Type	Roof Mount	
Mounting Accessories Available	Pole Mount, Mag Mount	
Antenna Pattern:	Omni-Directional	
Available Colors:	Black and White	
Cable Type:	Cellular	LSR200
	Wi-Fi	LSR200
	GPS	LSR100
Standard Cable Length	1 FT, 15 FT	
Standard Connector Options	Cellular	SMA(M)
	Wi-Fi	RP-SMA(M)
	GPS	SMA(M)

Specifications

Frequencies			
4G/5G Cellular	617-894 MHz 1695-2700 MHz 3300-4100 MHz 4500-5925 MHz	Wi-Fi	2400 - 2483.5 MHz 4900 - 5900 MHz
		L1 GPS	1575.42 MHz
		L1/L5 Dual Band GPS	1563 - 1587 MHz 1164 - 1189 MHz
4G/5G Bands			
North America		B2, B4, B5, B7, B12, B13, B14, B17, B25, B26, B29, B30, B41, B46, B48, B66, B71 n2, n5, n12, n25, n26, n41, n48, n66, n71, n77, n79	
EMEA		B1, B3, B7, B20, B28, B42, B43, B46 n1, n3, n28, n77, n78	
Mechanical		Enviromental	
Dimension	16.19 inch Length, 4.7 inch Width, 2.5 inch Height	Operating Temperature	-40 °C to 85°C
Mounting	Single 1.5 in	Ingress Protection	IP67 Waterproof
RF Cable Length	1 FT or 15 FT	Radome Material	Plastic with UV Additive
Connectors	CELL: SMA(M) Wi-Fi: RP-SMA(M) GPSL SMA(M)	Cable Type	CELL: LSR200 Wi-Fi: LSR200 GPS: LSR100
For customizations, such as Connector Type, Cable Length, Color Configuration, and Branding, please reach out to Parsec at sales@parsec-t.com			

Electrical Specification

<i>ID</i>	<i>Port</i>	<i>Parameters</i>	<i>Typ.</i>	
Radiated Efficiency (%)	CELL 1 thru 2	617 – 663 MHz	50	
	CELL 1 thru 2	663 – 746 MHz	60	
	CELL 1 thru 2	746 – 798 MHz	60	
	CELL 1 thru 2	1695 – 2110 MHz	80	
	CELL 1 thru 2	2110 – 2700 MHz	80	
	CELL 1 thru 2	3300 – 4100 MHz	75	
	CELL 1 thru 2	4500 – 5925 MHz	60	
	CELL 3 thru 4	617 – 663 MHz	45	
	CELL 3 thru 4	663 – 746 MHz	45	
	CELL 3 thru 4	746 – 798 MHz	40	
	CELL 3 thru 4	1695 – 2110 MHz	60	
	CELL 3 thru 4	2110 – 2700 MHz	75	
	CELL 3 thru 4	3300 – 4100 MHz	75	
	CELL 3 thru 4	4500 – 5925 MHz	60	
	CELL 5 thru 6	698 – 746 MHz	55	
	CELL 5 thru 6	746 – 798 MHz	60	
	CELL 5 thru 6	798 – 894 MHz	65	
	CELL 5 thru 6	1695 – 2110 MHz	70	
	CELL 5 thru 6	2110 – 2700 MHz	80	
	CELL 5 thru 6	3300 – 4100 MHz	75	
	CELL 5 thru 6	4500 – 5925 MHz	60	
	CELL 7 thru 8	698 – 746 MHz	40	
	CELL 7 thru 8	746 – 798 MHz	45	
	CELL 7 thru 8	798 – 894 MHz	45	
	CELL 7 thru 8	1695 – 2110 MHz	65	
	CELL 7 thru 8	2110 – 2700 MHz	75	
	CELL 7 thru 8	3400 – 4100 MHz	75	
	CELL 7 thru 8	4500 - 5925 MHz	60	
	WiFi 1 thru 4	2400 - 2483.5 MHz	75	
	Wifi 1 thru 4	4900 - 5900 MHz	70	
	Peak Gain (dBi)	CELL 1 thru 2	617 – 663 MHz	2
		CELL 1 thru 2	663 – 746 MHz	3.5
CELL 1 thru 2		746 – 798 MHz	4.5	
CELL 1 thru 2		1695 – 2110 MHz	6	
CELL 1 thru 2		2110 – 2700 MHz	7	
CELL 1 thru 2		3300 – 4100 MHz	6.5	
CELL 1 thru 2		4500 – 5925 MHz	6	
CELL 3 thru 4		617 – 663 MHz	2.5	
CELL 3 thru 4		663 - 746 MHz	2.5	
CELL 3 thru 4		746 - 798 MHz	3	

Electrical Specification

	CELL 3 thru 4	1695 - 2110 MHz	4.5
	CELL 3 thru 4	2110 - 2700 MHz	6.5
	CELL 3 thru 4	3300 - 4100 MHz	6.5
	CELL 3 thru 4	4500 - 5925 MHz	6
	CELL 5 thru 6	698 - 746 MHz	4
	CELL 5 thru 6	746 - 798 MHz	5
	CELL 5 thru 6	798 - 894 MHz	6
	CELL 5 thru 6	1695 - 2110 MHz	6
	CELL 5 thru 6	2110 - 2700 MHz	6.5
	CELL 5 thru 6	3300 - 4100 MHz	6.5
	CELL 5 thru 6	4500 - 5925 MHz	6
	CELL 7 thru 8	698 - 746 MHz	2
	CELL 7 thru 8	746 - 798 MHz	3
	CELL 7 thru 8	798 - 894 MHz	4
	CELL 7 thru 8	1695 - 2110 MHz	5
	CELL 7 thru 8	2110 - 2700 MHz	6.5
	CELL 7 thru 8	3300 - 4100 MHz	6.5
	CELL 7 thru 8	4500 - 5900 MHz	6
	WiFi 1 thru 4	2400 - 2483.5 MHz	5
	WiFi 1 thru 4	4900 - 5900 MHz	6
Return Loss 50 Ω (dB)	CELL 1 thru 2	617 - 663 MHz	7
	CELL 1 thru 2	663 - 746 MHz	10
	CELL 1 thru 2	746 - 798 MHz	8
	CELL 1 thru 2	1695 - 2000 MHz	14
	CELL 1 thru 2	2000 - 2700 MHz	11
	CELL 1 thru 2	3300 - 4150 MHz	15
	CELL 1 thru 2	4500 - 5000 MHz	13
	CELL 1 thru 2	5000 - 5925 MHz	8
	CELL 3 thru 4	617 - 663 MHz	6
	CELL 3 thru 4	663 - 746 MHz	9
	CELL 3 thru 4	746 - 798 MHz	6
	CELL 3 thru 4	1695 - 2000 MHz	12
	CELL 3 thru 4	2000 - 2700 MHz	10
	CELL 3 thru 4	3300 - 4100 MHz	11
	CELL 3 thru 4	4500 - 5000 MHz	11
	CELL 3 thru 4	5000 - 5925 MHz	7
	CELL 5 thru 6	698 - 746 MHz	10
	CELL 5 thru 6	746 - 798 MHz	11
	CELL 5 thru 6	798 - 894 MHz	7.5

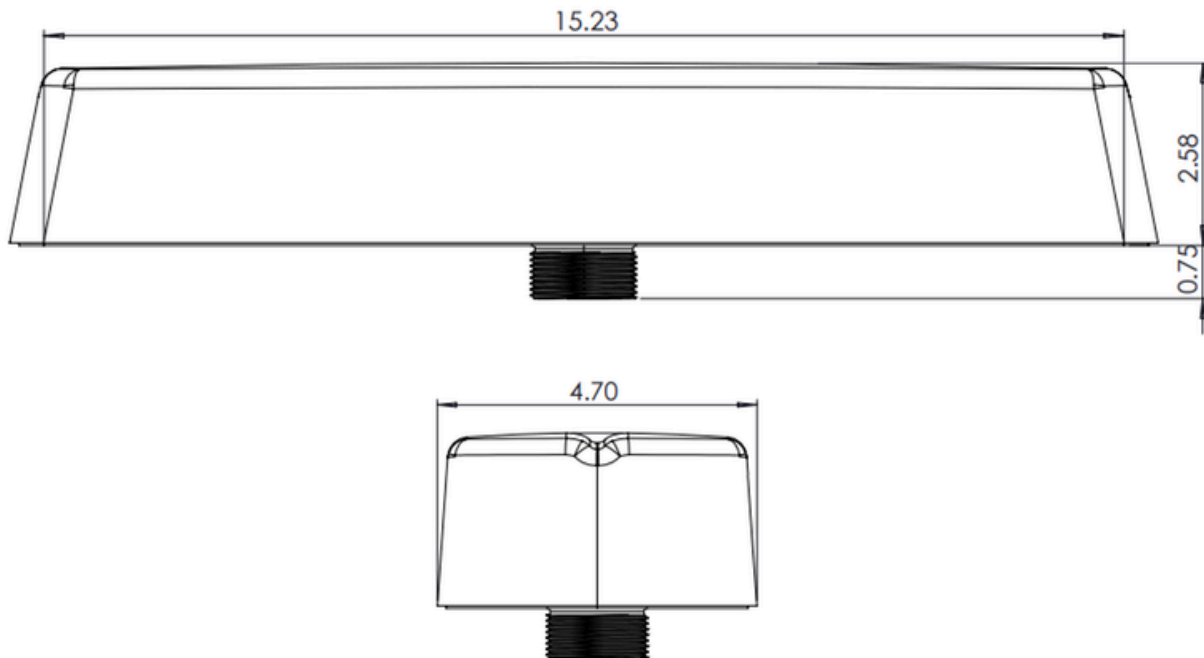
Electrical Specification

	CELL 5 thru 6	1695 – 2000 MHz	12
	CELL 5 thru 6	2000 – 2700 MHz	10
	CELL 5 thru 6	3300 - 3700 MHz	12
	CELL 5 thru 6	3700 – 4100 MHz	15
	CELL 5 thru 6	4500 – 5000 MHz	13
	CELL 5 thru 6	5000 – 5925 MHz	9
	CELL 7 thru 8	698 – 746 MHz	7.5
	CELL 7 thru 8	746 – 798 MHz	9
	CELL 7 thru 8	798 – 894 MHz	6
	CELL 7 thru 8	1695 – 2000 MHz	12
	CELL 7 thru 8	2000- 2700 MHz	9
	CELL 7 thru 8	3300 – 3700 MHz	14
	CELL 7 thru 8	3700 – 4100 MHz	15
	CELL 7 thru 8	4500 – 5000 MHz	12
	CELL 7 thru 8	5000 – 5925 MHz	8
	WiFi 1 thru 4	2400 - 2483.5 MHz	10
	WiFi 1 thru 4	4900 - 5900 MHz	10
Isolation (dB)	CELL-MIMO_1	617 – 729 MHz	13
	CELL-MIMO_1	729 – 798 MHz	14
	CELL-MIMO_1	1695 – 2110 MHz	10
	CELL-MIMO_1	2110 - 2700 MHz	12
	CELL-MIMO_1	3300 – 4100 MHz	17
	CELL-MIMO_1	4500 – 5925 MHz	25
	CELL-MIMO_5	698 – 859 MHz	13
	CELL-MIMO_5	859 – 894 MHz	14
	CELL-MIMO_5	1625 – 2110 MHz	10
	CELL-MIMO_5	2110 - 2700 MHz	11
	CELL-MIMO_5	3300 – 3700 MHz	14
	CELL-MIMO_5	3700 - 4100 MHz	22
	CELL-MIMO_5	4500 – 5925 MHz	25
	CELL-Adjacent	617 – 777 MHz	8.5
	CELL-Adjacent	777 – 849 MHz	11
	CELL-Adjacent	849 – 894 MHz	12
	CELL-Adjacent	1625 – 2110 MHz	10
	CELL-Adjacent	2110 - 2700 MHz	11
	CELL-Adjacent	3300 - 3700 MHz	13
	CELL-Adjacent	3700 - 4100 MHz	19
	CELL-Adjacent	4500 - 5925 MHz	24
	WiFi	2400 - 2483.5 MHz	15
	WiFi	4900 - 5900 MHz	15

Polarization (dBi)	CELL		Linear
Max Input Power (Watts)	CELL		5
RF Connectors	CELL Wi-Fi		SMA(M) RP-SMA(M)
RF Cable Type	CELL, Wi-Fi		LSR200

- Isolation, return loss, and peak gain do not include cable loss.
- CELL-MIMO isolation is the isolation between elements grouped for 4X4 MIMO for one modem.
- CELL-Adjacent isolation is the isolation between adjacent elements for separate modems.
- Electrical specifications based on antenna mounted away from other conductors.

Dimensions



Part Number Key

Part Number Example for a 13:1 Cujo: PRO13CJ8L4WD15B

<i>Description</i>	<i>Abbreviation</i>	<i>Part Number</i>
All PRO Series	PRO	PRO
Number of Antenna in Housing/Configuration	13:1	PRO13
Antenna Abbreviation for Cujo	CJ	PRO13CJ
Number of Cellular Elements	#L	PRO13CJ8L
Number of Wi-Fi Elements	#W	PRO13CJ8L4W
GPS Element: G = L1 GPS, D = L1/L5 Dual Band GPS	G or D	PRO13CJ8L4WD
Cable Length Measured in Feet: 01 = 1 FT	01, 06, 15, etc	PRO13CJ8L4WD15
Radome Color - B for Black, W for White	B or W	PRO13CJ8L4WD15B
Leave Blank for Standard 1.5" Bolt S= Short Bolt of 1"	S	PRO13CJ8L4WD15BS

Customization options available: Custom Cable Lengths, Custom Colors, Custom Connectors, Cable Kits, Marine Grade, Custom Cable Labelling. MOQ Applicable. Please contact us for more information at sales@parsec-t.com.

GNSS Electrical Specifications

<i>ID & Unit</i>	<i>Port</i>	<i>Parameters</i>	<i>Typ.</i>
Antenna + Preamp Gain (dBic)	GPS	1570 – 1581 MHz	28
Polarization	GPS		RHCP
Filter Rejection (dB)	GPS	1625 MHz	12
GNSS Preamp Voltage (mA)	GPS		2.2 to 5
GNSS Preamp Current (mA)	GPS		5 to 15
RF Connector	GPS		SMA(M)
RF Cable Type	GPS		LSR100

Ordering Guide

Maximum Configurations

<i>Config.</i>	<i>Part Number</i>	<i>Description</i>
13:1	PRO13CJ8L4WD15B	8 Cellular, 4 Wi-Fi, L1/L5 Dual Band GPS, 15 ft Cable, Black
	PRO13CJ8L4WD15BS	8 Cellular, 4 Wi-Fi, L1/L5 Dual Band GPS, 15 ft Cable, Black, Short Bolt
15:1	PRO15CJ8L4WD15B	8 Cellular, 6 Wi-Fi, L1/L5 Dual Band GPS, 15 ft Cable, Black
	PRO15CJ8L4WD15BS	8 Cellular, 6 Wi-Fi, L1/L5 Dual Band GPS, 15 ft Cable, Black, Short Bolt

Hardware Accessories

Accessories	Part Number
Pole Mount Bracket	PTA0638
Customizable Pole Mount Bracket	PTA0640
Roof Mount Bracket Assembly with L Bracket	PTA0641
Magnetic Boot Mount (Black)	PTA1288
1.5" - 6" Shaft Extender	PTA0635C
Ground Plane with Adhesive Back, 20 in x 20 in, Can Be Cut to Size	PTA0587
Lightning Arrestor - SMA(F) to SMA(F)	PTA0476
Lightning Arrestor - N(F) to N(M)	PTA0736
SMA Wrench, Key Chain	PTA0194
Service: Cable Sleeving (Priced Per Ft)	Cable Sleeving
Replacement Parts	
Replacement Rooftop Gasket Kit	PTA1287
Hardware Kit for 1.5" Shaft - Nut/Washer	PTA0761
1.5" Star Washer	PTA0257