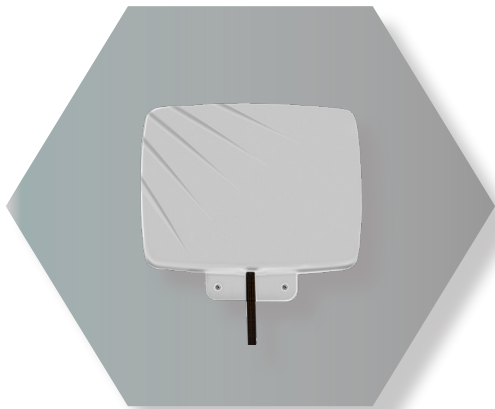




Weimaraner PRO Series



- MIMO WIFI
- IP54 RATED

- DUAL BAND WIFI
- HIGH EFFICIENCY
- HIGH PERFORMANCE

*See inside for details

Ideal for:

- High-Performance WiFi
- Fast WiFi Speeds
- Large WiFi Coverage Area



Product Description

The Weimaraner PRO Series antennas are MIMO WiFi antennas for wall mounting. The antennas are perfect for indoor, but may be pole-mounted outdoor. The Weimaraner Series work well for high-performance WiFi, fast WiFi speeds, and large WiFi coverage areas.

The Weimaraner MIMO WiFi antennas offer both high-band and low-band coverage (dual band), and high-performance MIMO WiFi coverage both inside or outside of buildings.

Patent pending.



Frequency Ranges

WiFi Frequency Range

- 2400 – 2483.5 MHz
- 4900 – 5900 MHz

Electrical Specifications

| ID | Port | Parameters | Units | Typ. |
|----------------------------|----------|-------------------|-------|--------|
| Radiated Efficiency | WiFi-1,2 | 2400 – 2483.5 MHz | % | 80 |
| | WiFi-1,2 | 4900 – 5900 MHz | | 75 |
| Peak Gain | WiFi-1,2 | 2400 – 2483.5 MHz | dBi | 4 |
| | WiFi-1,2 | 4900 – 5900 MHz | | 8 |
| Return Loss (50 Ω) | WiFi-1,2 | 2400 – 2483.5 MHz | dB | 12 |
| | WiFi-1,2 | 4900 – 5900 MHz | | 10 |
| Isolation | WiFi-1,2 | 2400 – 2483.5 MHz | dB | 17 |
| | WiFi-1,2 | 4900 – 5900 MHz | | 22 |
| Polarization | WiFi | | | Linear |
| Max Input Power | WiFi | | Watts | 5 |
| RF Connector | WiFi | | | RP-SMA |
| RF Cable Type | WiFi | | | LMR200 |

Notes:

1. Isolation does not include cable loss
2. Performance will be degraded if the antenna is mounted close to wiring or metal wall studs

Product Dimensions

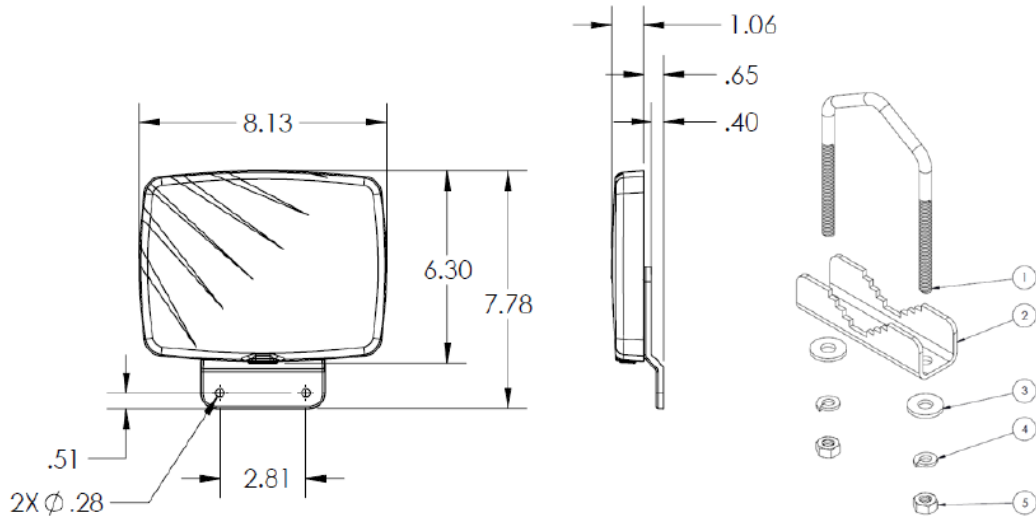


Figure 1. Product Dimensions and Optional Pole Mount

Electrical Specifications (Continued)

Mechanical

| | |
|-------------------|---|
| Dimensions | 8.13 inch width x 6.3 inch height x 1.06 inch thickness excluding bracket |
| Mounting | Bracket with screws to a non-metallic surface Optional pole mount for 1.25 – 2.25 inch mast diameter |

Notes:

- Optional pole mount consists of a V-bolt, saddle clamp, and related hardware

Environmental

| | |
|------------------------------|---------------|
| Operating Temperature | -40°C to 85°C |
| Ingress Protection | IP54 outdoor |

Our Weimaraner antennas come in 1' or 15' cable options and white. The 1' has N type female connectors and the 15' has SMA connectors.

| Configurations | Order Number | Description |
|----------------|--------------------------|---|
| 2:1 | PTAWM2W01W PTAWM2W15W | 2 WiFi, 1' cable, white 2 WiFi, 15' cable, white |

Part Number Key

Part number example of a 2:1 Weimaraner antenna:

PTAWM2W15W

| Description | Abbreviation | Part Number |
|--|--------------|-------------|
| All PTA Series | PTA | PTA |
| Antenna abbreviation for Weimaraner | WM | PTAWM |
| Number of antennas in housing/configuration | 2:1 | PTAWM2 |
| Number of WiFi Elements | # W | PTAWM2W |
| Cable length measured in feet: 01 = 1', 15 = 15' | 01, 15, etc, | PTAWM2W15 |
| Radome Color -W for White | W | PTAWM2W15W |
| If a 15' then SMA connector, simply leave blank If a 1' then N type female connector, leave blank | | PTAWM2W15W |
| | | |

The 1' has N type female connectors and the 15' has SMA connectors.